

# SEGO COUNTER

SEGO MODULAR LIGHTBOX DISPLAY

PRODUCT CODE: SEGO-CNTR



On frame On graphic



## PRODUCT DESCRIPTION

The advanced technology of the new SEGO modular lightbox system combines innovation with intuition. Toolless down to its feet, SEGO is designed to help heighten your display experience. Magnetic electrical connectors light up the UL certified LED lights that come pre-installed in the profiles. Electrical wires stay hidden from view. Edge-to-edge customizable SEG backlit fabric graphics cover the front and back of the aluminum frame. Portable, configurable, desirable, SEGO is a lightbox unlike the others. SEGO is so well thought out, even its durable foam cut carry bag is made distinctly to keep all parts and pieces protected and organized.

DISPLAY DIMENSIONS	39"W x 39"H x 16.5"D
GRAPHIC SIZE	39.625"W x 39.75"H
COUNTER TOP DIMS	40.5" W x 11.75" D x .6"H
COUNTER WEIGHT LIMIT	11 lbs

## GRAPHIC MATERIAL

Dye Sub Backlit Fabric

## GRAPHIC FINISHING

Silicone beading sewn onto edge of graphic

## DISPLAY CONSTRUCTION

Aluminum extrusion frame with plastic components

## SHIPPING WEIGHTS & DIMENSIONS

Shipping Weight	28.5 lbs (frame only) 30.5 lbs (frame & graphic)
Shipping Dimensions	45.5"W x 15.5"H x 6.75"D

## GRAPHIC TURN AROUND TIME

2 business days after proof approval (up to 6 sets)

AVAILABILITY	CA
--------------	----

## LED LIGHT SPECIFICATION

BRAND	Osram
POWER	3W
CCT (COLOR TEMP)	6800k
AVERAGE BEAM ANGEL	20 °
LM/W	130
AVG LM/M <sup>2</sup>	4800-5800
VOLTAGE INPUT	24V

## LUMENS

VOLTAGE (V)	24
POWER (W)	45
LM/W	130
TOTAL LM	5850
AVG LM	5850
CU	.8
EAV	4680

## TRANSFORMER SPECIFICATION

POWER RATE 2 TRANSFORMERS	95W, 252W
CERTIFICATES	UL, CE, GEM
VOLTAGE INPUT	100-240V
VOLTAGE OUTPUT	24V



TOOL FREE ASSEMBLY

MAGNETIC WIRE CONNECTION

WOODEN COUNTERTOP

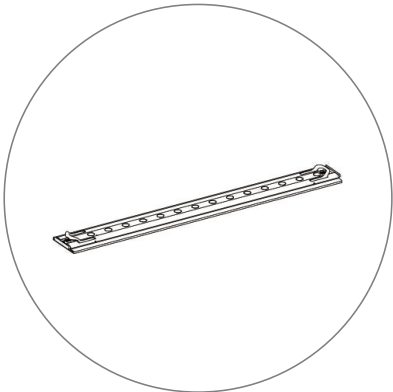
TOOL FREE FOOT CONNECTION

# SEGO COUNTER

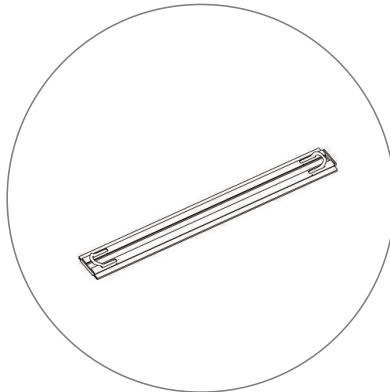
SEGO MODULAR LIGHTBOX DISPLAY

PRODUCT CODE: SEGO-CNTR

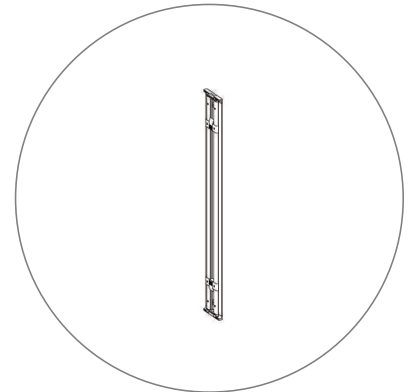
## PARTS LIST



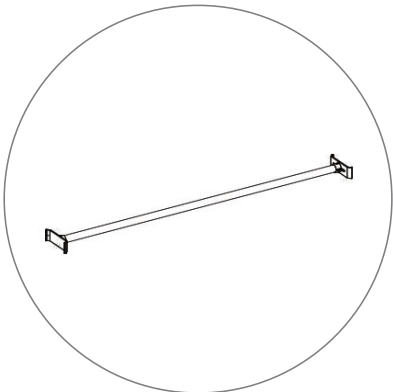
(qty 1)  
Horizontal Profile Bottom



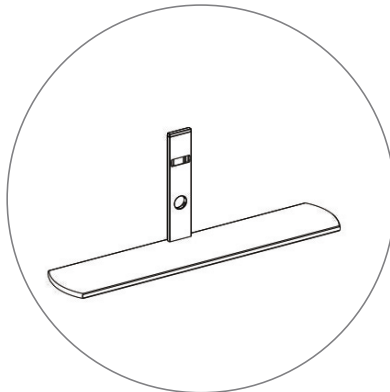
(qty 1)  
Horizontal Profile Top



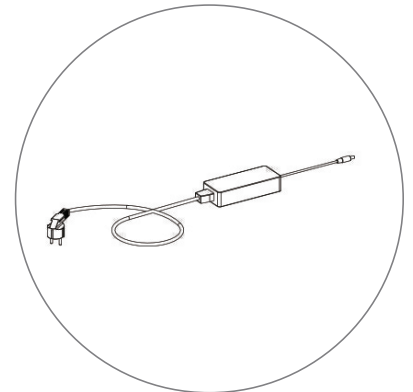
(qty 2)  
Vertical Profile



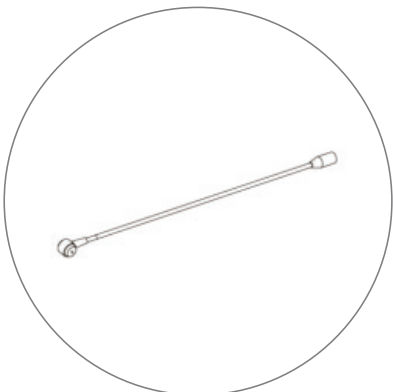
(qty 1)  
Mid Pole



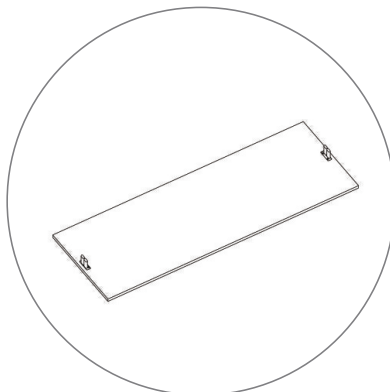
(qty 2)  
Feet



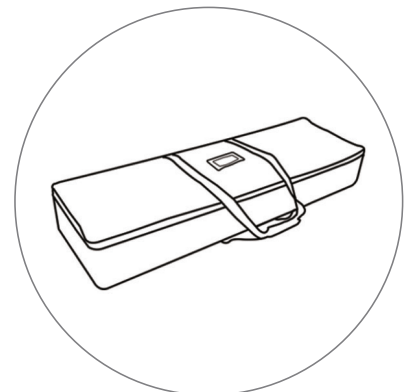
(qty 1)  
Transformer



(qty 1)  
S Cable



(qty 1)  
Counter Top



(qty 1)  
Travel Bag

## SET UP INSTRUCTIONS

