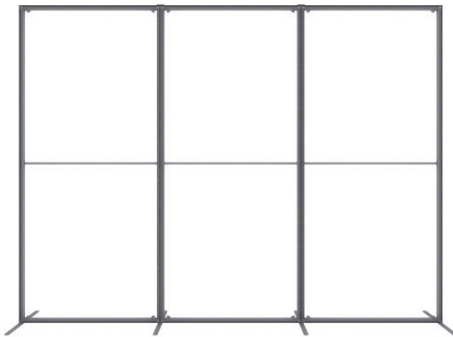


QSEG 9.8 X 7.4FT- FULL GRAPHIC PRINT

QSEG MODULAR SEG DISPLAY
 PRODUCT CODE: QSEG300x225-FCP-G



TRAVEL BAG CLOSED



TRAVEL BAG OPEN

PRODUCT DESCRIPTION

Use Qseg for social distancing solutions for work environments as office partitions and cubicles. Help keep safe physical distance between employees and customers with today's health and safety regulations. By strategically placing our lightweight and portable walls. Padded travel bags are included to keep your frames and graphics protected during transport and storage. With many wall sizes and connector accessories. Effortlessly creating numerous configurations that meet your needs. Connector options are either 2 way (90°) or 4 way (180°). Other graphic options are full custom printed dye sublimated graphics or TPU plastic for hygienic sneeze guards and partitions.

DISPLAY DIMENSIONS	118"W x 88.5"H x 10.25"D
GRAPHIC SIZE	121.5"W x 91"H

GRAPHIC MATERIAL

Dye Sub Stretch Fabric

GRAPHIC FINISHING

Silicone beading sewn onto edge of graphic

DISPLAY CONSTRUCTION

Aluminum extrusion frame with plastic components

SHIPPING WEIGHTS & DIMENSIONS

Shipping Weight	34 lbs (frame only) 40 lbs (frame & graphic)
Shipping Dimensions	47.25" W x 10.25" H x 10.25" D

GRAPHIC TURN AROUND TIME

2 business days after proof approval (up to 6 sets)

AVAILABILITY	PFC
--------------	-----



STRAIGHT CONNECTOR



SILICONE EDGE GRAPHIC INSTALLATION



SINGLE FOOT CONNECTION



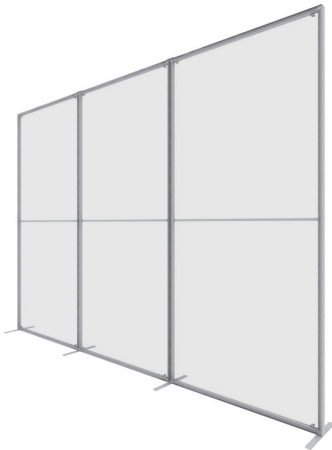
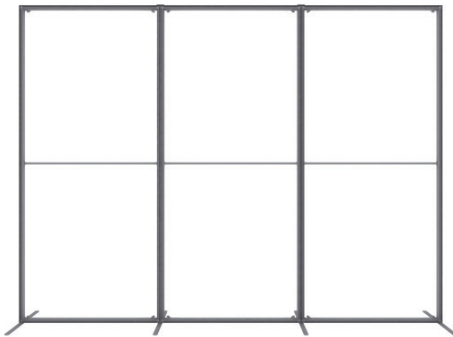
VERTICAL PROFILE CONNECTION



TOOL FREE CORNER LOCKS

QSEG 9.8 X 7.4FT- CLEAR TPU GRAPHIC

QSEG MODULAR SEG DISPLAY
 PRODUCT CODE: QSEG300x225-CW-G



TRAVEL BAG CLOSED



TRAVEL BAG OPEN

PRODUCT DESCRIPTION

Use Qseg for social distancing solutions for work environments as office partitions and cubicles. Help keep safe physical distance between employees and customers with today's health and safety regulations. By strategically placing our lightweight and portable walls. Padded travel bags are included to keep your frames and graphics protected during transport and storage. With many wall sizes and connector accessories. Effortlessly creating numerous configurations that meet your needs. Connector options are either 2 way (90°) or 4 way (180°). Other graphic options are full custom printed dye sublimated graphics or TPU plastic for hygienic sneeze guards and partitions.

DISPLAY DIMENSIONS	118"W x 88.5"H x 10.25"D
GRAPHIC SIZE	121.5"W x 91"H

GRAPHIC MATERIAL

Clear TPU Material

GRAPHIC FINISHING

Silicone beading sewn onto edge of graphic

DISPLAY CONSTRUCTION

Aluminum extrusion frame with plastic components

SHIPPING WEIGHTS & DIMENSIONS

Shipping Weight	34 lbs (frame only) 40 lbs (frame & graphic)
Shipping Dimensions	47.25" W x 10.25" H x 10.25" D

GRAPHIC TURN AROUND TIME

2 business days after proof approval (up to 6 sets)

AVAILABILITY	PFC
--------------	-----



STRAIGHT CONNECTOR



SILICONE EDGE GRAPHIC INSTALLATION



SINGLE FOOT CONNECTION



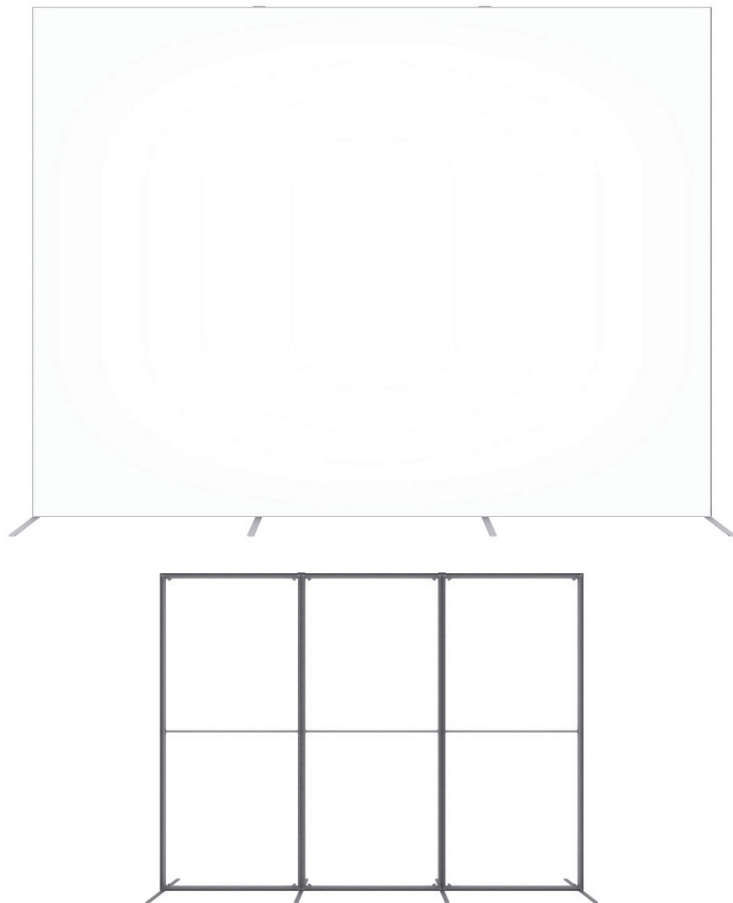
VERTICAL PROFILE CONNECTION



TOOL FREE CORNER LOCKS

QSEG 9.8 X 7.4FT- BLANK GRAPHIC

QSEG MODULAR SEG DISPLAY
 PRODUCT CODE: QSEG300x225-U-G



PRODUCT DESCRIPTION

Use Qseg for social distancing solutions for work environments as office partitions and cubicles. Help keep safe physical distance between employees and customers with today's health and safety regulations. By strategically placing our lightweight and portable walls. Padded travel bags are included to keep your frames and graphics protected during transport and storage. With many wall sizes and connector accessories. Effortlessly creating numerous configurations that meet your needs. Connector options are either 2 way (90°) or 4 way (180°). Other graphic options are full custom printed dye sublimated graphics or TPU plastic for hygienic sneeze guards and partitions.

DISPLAY DIMENSIONS	118"W x 88.5"H x 10.25"D
GRAPHIC SIZE	121.5"W x 91"H

GRAPHIC MATERIAL

Unprinted Stretch Fabric

GRAPHIC FINISHING

Silicone beading sewn onto edge of graphic

DISPLAY CONSTRUCTION

Aluminum extrusion frame with plastic components

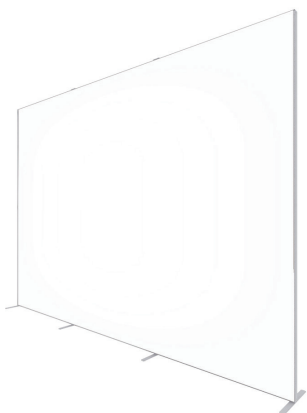
SHIPPING WEIGHTS & DIMENSIONS

Shipping Weight	34 lbs (frame only) 40 lbs (frame & graphic)
Shipping Dimensions	47.25" W x 10.25" H x 10.25" D

GRAPHIC TURN AROUND TIME

2 business days after proof approval (up to 6 sets)

AVAILABILITY	PFC
--------------	-----



TRAVEL BAG CLOSED



TRAVEL BAG OPEN



STRAIGHT CONNECTOR



SILICONE EDGE GRAPHIC INSTALLATION



SINGLE FOOT CONNECTION



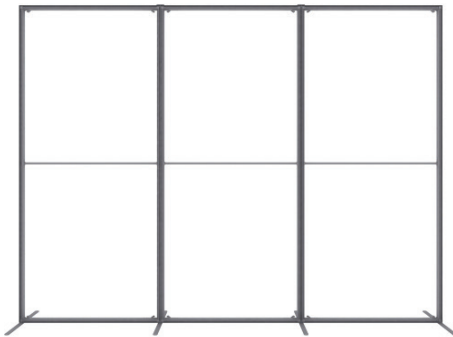
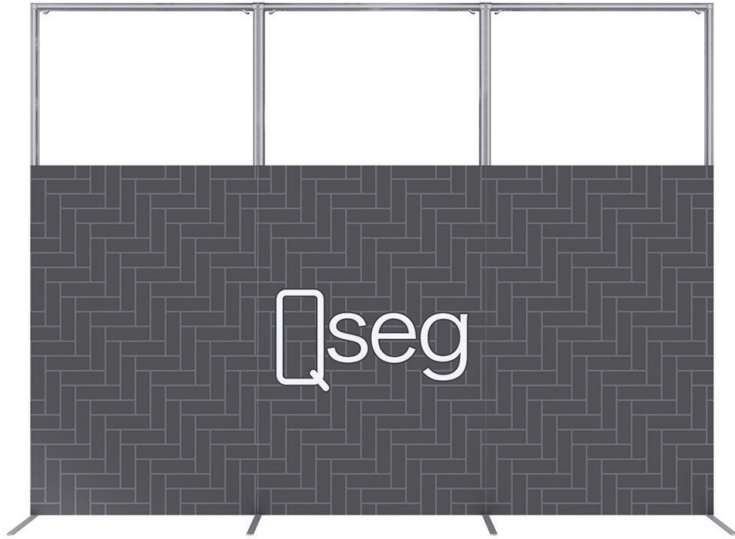
VERTICAL PROFILE CONNECTION



TOOL FREE CORNER LOCKS

QSEG 9.8 X 7.4FT- FULL GRAPHIC + TPU

QSEG MODULAR SEG DISPLAY
 PRODUCT CODE: QSEG300x225-HPCW-G



TRAVEL BAG CLOSED



TRAVEL BAG OPEN

PRODUCT DESCRIPTION

Use Qseg for social distancing solutions for work environments as office partitions and cubicles. Help keep safe physical distance between employees and customers with today's health and safety regulations. By strategically placing our lightweight and portable walls. Padded travel bags are included to keep your frames and graphics protected during transport and storage. With many wall sizes and connector accessories. Effortlessly creating numerous configurations that meet your needs. Connector options are either 2 way (90°) or 4 way (180°). Other graphic options are full custom printed dye sublimated graphics or TPU plastic for hygienic sneeze guards and partitions.

DISPLAY DIMENSIONS	118"W x 88.5"H x 10.25"D
GRAPHIC SIZE	121.5"W x 91"H

GRAPHIC MATERIAL

Dye Sub Stretch Fabric + Clear TPU Material

GRAPHIC FINISHING

Silicone beading sewn onto edge of graphic

DISPLAY CONSTRUCTION

Aluminum extrusion frame with plastic components

SHIPPING WEIGHTS & DIMENSIONS

Shipping Weight	34 lbs (frame only) 40 lbs (frame & graphic)
Shipping Dimensions	47.25" W x 10.25" H x 10.25" D

GRAPHIC TURN AROUND TIME

2 business days after proof approval (up to 6 sets)

AVAILABILITY	PFC
--------------	-----



STRAIGHT CONNECTOR



SILICONE EDGE GRAPHIC INSTALLATION



SINGLE FOOT CONNECTION



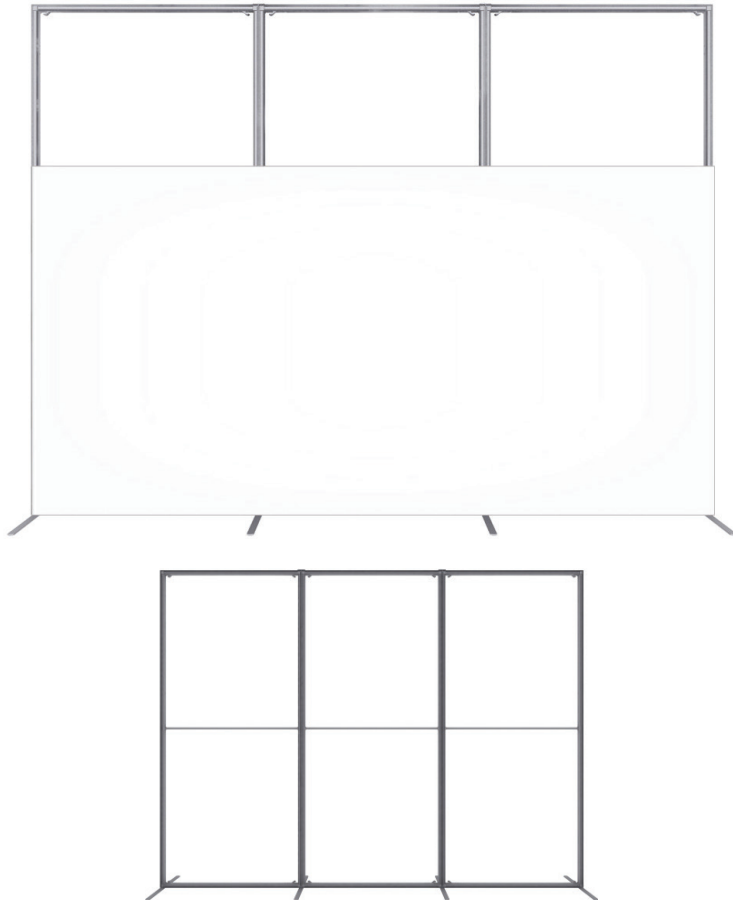
VERTICAL PROFILE CONNECTION



TOOL FREE CORNER LOCKS

QSEG 9.8 X 7.4FT- BLANK GRAPHIC + TPU

QSEG MODULAR SEG DISPLAY
 PRODUCT CODE: QSEG300x225-HUCW-G



PRODUCT DESCRIPTION

Use Qseg for social distancing solutions for work environments as office partitions and cubicles. Help keep safe physical distance between employees and customers with today's health and safety regulations. By strategically placing our lightweight and portable walls. Padded travel bags are included to keep your frames and graphics protected during transport and storage. With many wall sizes and connector accessories. Effortlessly creating numerous configurations that meet your needs. Connector options are either 2 way (90°) or 4 way (180°). Other graphic options are full custom printed dye sublimated graphics or TPU plastic for hygienic sneeze guards and partitions.

DISPLAY DIMENSIONS	118"W x 88.5"H x 10.25"D
GRAPHIC SIZE	121.5"W x 91"H

GRAPHIC MATERIAL

Unprinted Stretch Fabric + Clear TPU Material

GRAPHIC FINISHING

Silicone beading sewn onto edge of graphic

DISPLAY CONSTRUCTION

Aluminum extrusion frame with plastic components

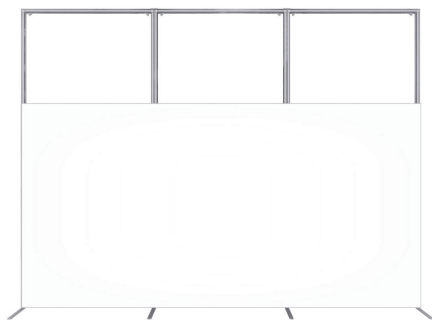
SHIPPING WEIGHTS & DIMENSIONS

Shipping Weight	34 lbs (frame only) 40 lbs (frame & graphic)
Shipping Dimensions	47.25" W x 10.25" H x 10.25" D

GRAPHIC TURN AROUND TIME

2 business days after proof approval (up to 6 sets)

AVAILABILITY	PFC
--------------	-----



TRAVEL BAG CLOSED



TRAVEL BAG OPEN



STRAIGHT CONNECTOR



SILICONE EDGE GRAPHIC INSTALLATION



SINGLE FOOT CONNECTION



VERTICAL PROFILE CONNECTION



TOOL FREE CORNER LOCKS

QSEG 9.8 X 7.4FT

QSEG MODULAR SEG DISPLAY
PRODUCT CODE: QSEG-300X225-G

PARTS LIST



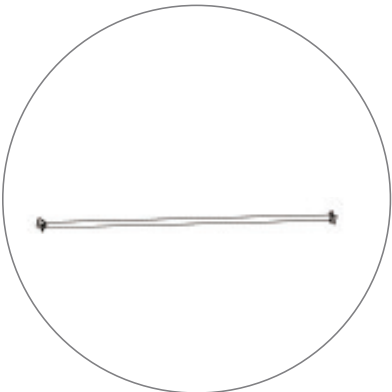
(qty 6)
Horizontal Profile



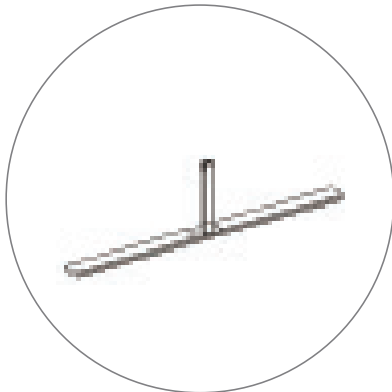
(qty 6t)
Vertical Profile Top



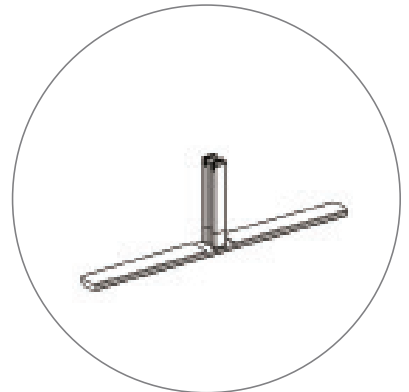
(qty 6)
Vertical Profile Bottom



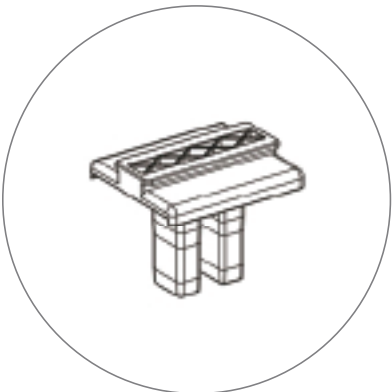
(qty 3)
Brace Rod



(qty 2)
Foot (Full)



(qty 2)
Twin Pole Foot (Full)



(qty 2)
Straight Connector

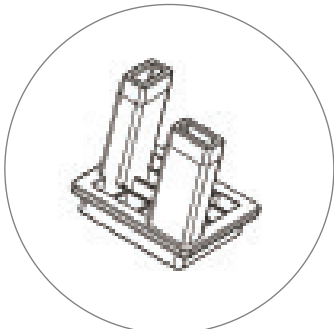


(qty 1)
Travel Bag

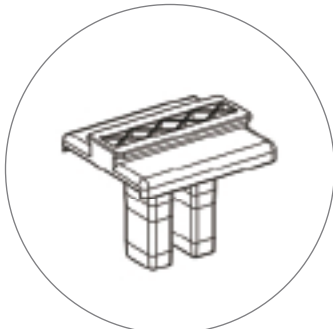
QSEG 9.8 X 7.4FT

QSEG MODULAR SEG DISPLAY
PRODUCT CODE: QSEG-300X225-G

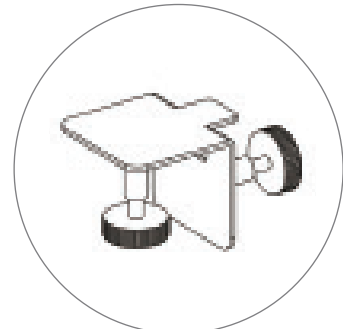
AVAILABLE ACCESSORIES



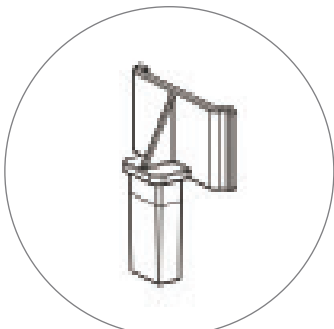
QSEG-LCON
Qseg L connector (pair)



QSEG-SCON
QSEG Straight Connector



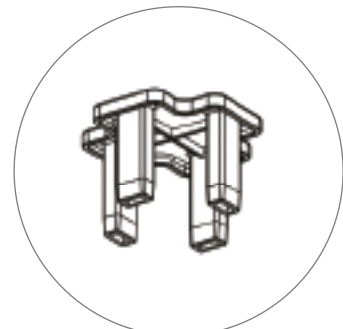
QSEG-BC
QSEG Bridge Connector



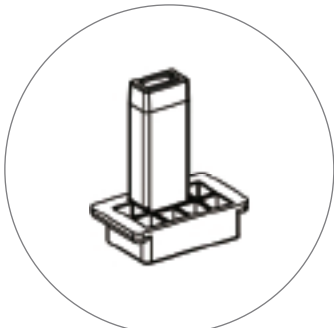
QSEG-LHCON
QSEG Low-High Connector



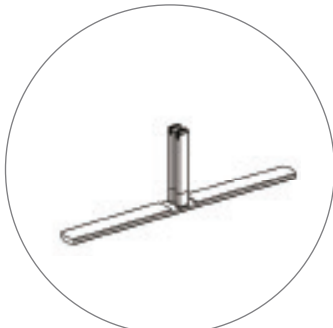
QSEG-TCON
QSEG T Connector



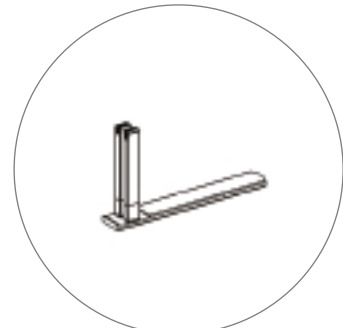
QSEG-CC
QSEG Cross Connector



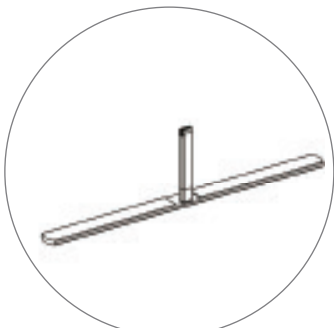
QSEG-FP
QSEG Foot Pad



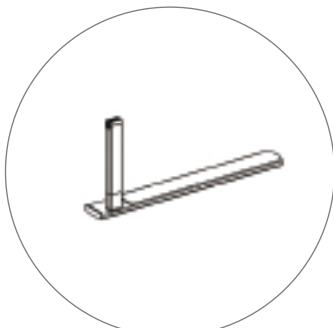
QSEG-TPF
QSEG Twin Pole Foot (Full)



QSEG-TPFH
QSEG Twin Pole Foot (Half)



QSEG-FF
QSEG Foot (Full)

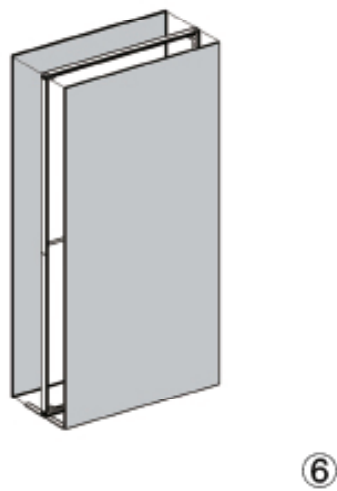
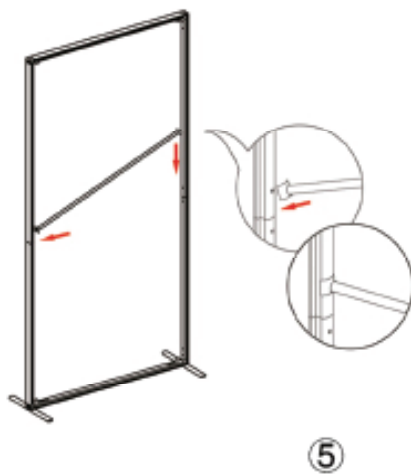
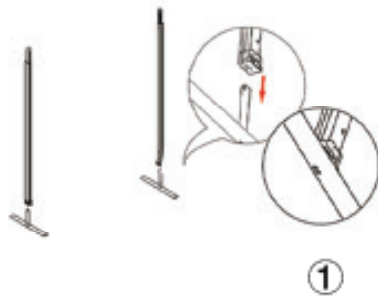


QSEG-FH
QSEG Foot (Half)

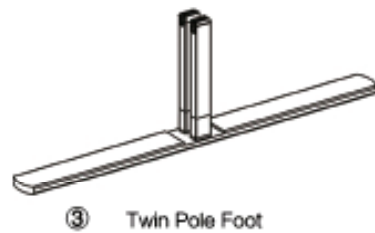
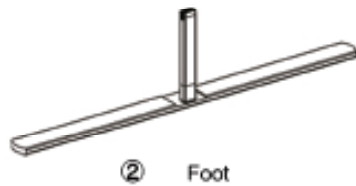
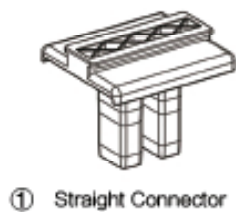
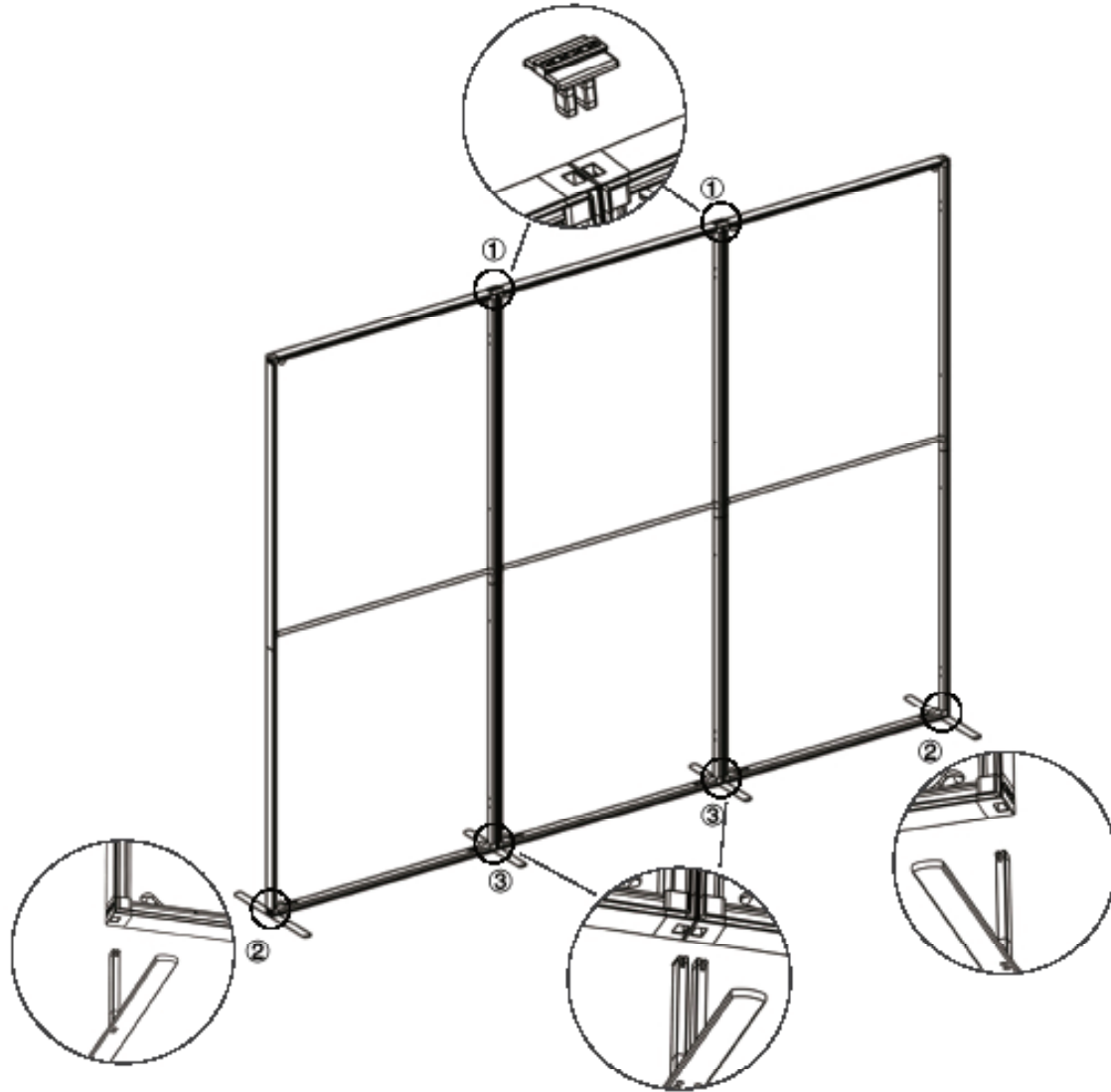


LACAJA
La Caja Hardcase

SET UP INSTRUCTIONS



SET UP INSTRUCTIONS 3 FRAME CONNECTION (QSEG 9.8 X 7.4FT)



TEMPLATE

