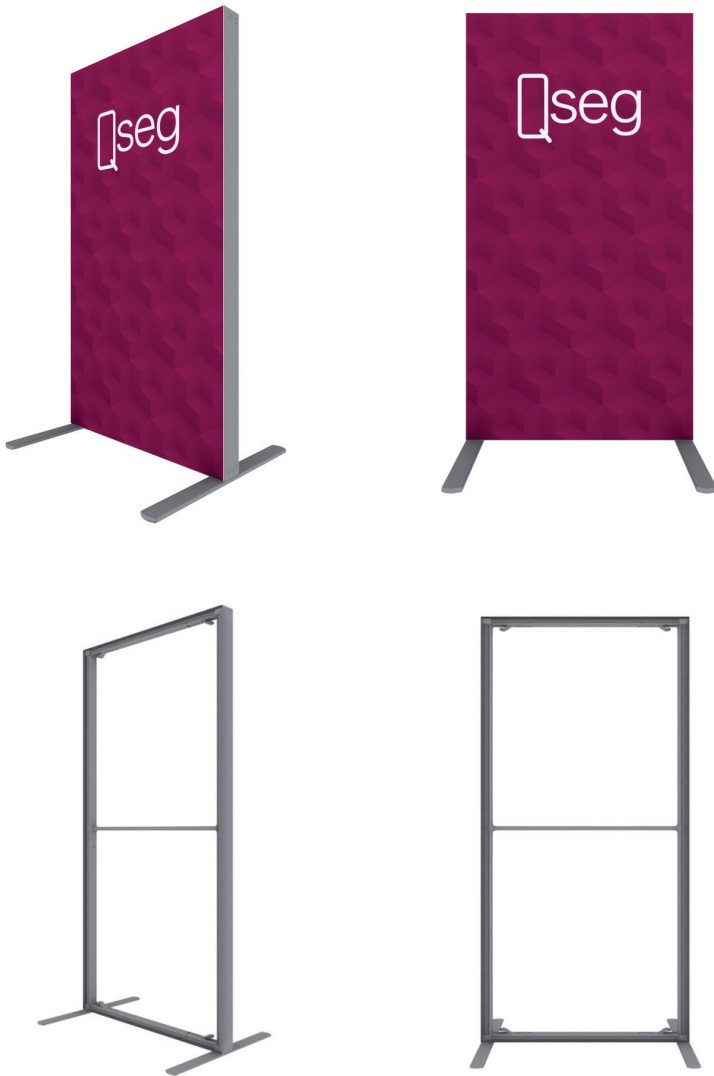


# QSEG 1.3 X 2.5FT - FULL CUSTOM PRINT

QSEG MODULAR SEG DISPLAY  
 PRODUCT CODE: QSEG40x75-FCP-G



On frame On graphic



## PRODUCT DESCRIPTION

Use Qseg for social distancing solutions for work environments as office partitions and cubicles. Help keep safe physical distance between employees and customers with today's health and safety regulations. By strategically placing our lightweight and portable walls. Padded travel bags are included to keep your frames and graphics protected during transport and storage. With many wall sizes and connector accessories. Effortlessly creating numerous configurations that meet your needs.

|                    |                            |
|--------------------|----------------------------|
| DISPLAY DIMENSIONS | 15.75"W x 29.5"H x 10.25"D |
| GRAPHIC SIZE       | 15.75"W x 29.5"H           |

## GRAPHIC MATERIAL

Dye Sub Stretch Fabric

## GRAPHIC FINISHING

Silicone beading sewn onto edge of graphic

## DISPLAY CONSTRUCTION

Aluminum extrusion frame with plastic components

## SHIPPING WEIGHTS & DIMENSIONS

|                     |                           |
|---------------------|---------------------------|
| Shipping Weight     | 9 lbs (frame only)        |
|                     | 11 lbs (frame & graphic)  |
| Shipping Dimensions | 32.25"W x 3.5"H x 10.25"D |

## GRAPHIC TURN AROUND TIME

2 business days after proof approval (up to 6 sets)

|              |     |
|--------------|-----|
| AVAILABILITY | PFC |
|--------------|-----|



TRAVEL BAG CLOSED



TRAVEL BAG OPEN



SILICONE EDGE GRAPHIC INSTALLATION



SINGLE FOOT CONNECTION



VERTICAL PROFILE CONNECTION



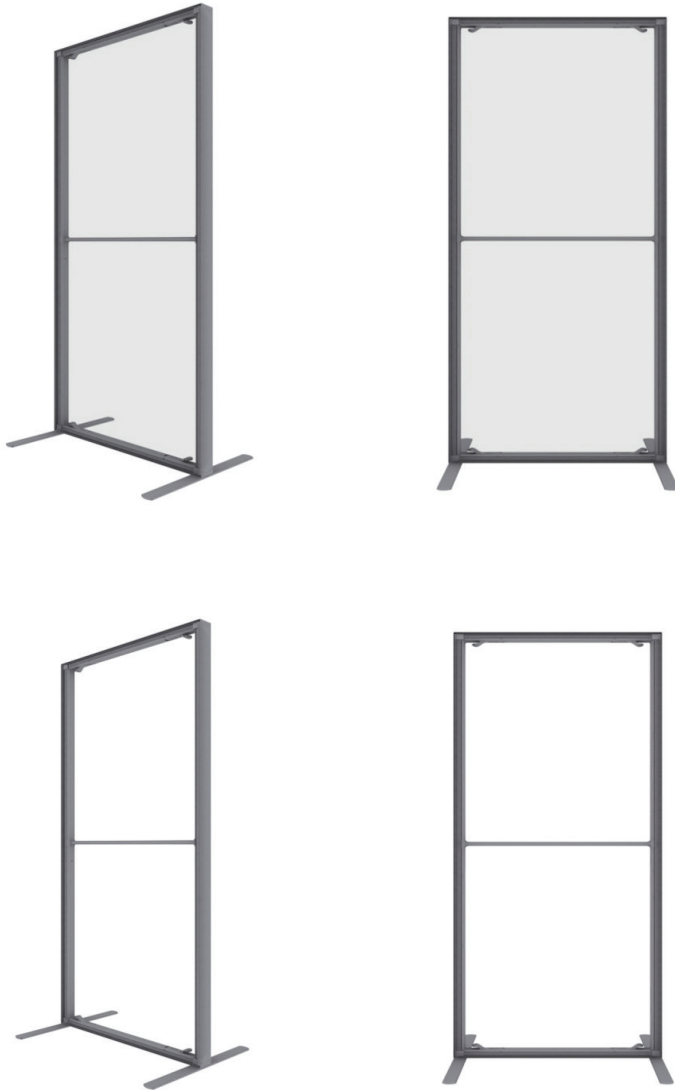
TOOL FREE CORNER LOCKS

# QSEG 1.3 X 2.5FT - CLEAR TPU MATERIAL

QSEG MODULAR SEG DISPLAY  
 PRODUCT CODE: QSEG40x75-CW-G



On frame On graphic



## PRODUCT DESCRIPTION

Use Qseg for social distancing solutions for work environments as office partitions and cubicles. Help keep safe physical distance between employees and customers with today's health and safety regulations. By strategically placing our lightweight and portable walls. Padded travel bags are included to keep your frames and graphics protected during transport and storage. With many wall sizes and connector accessories. Effortlessly creating numerous configurations that meet your needs.

|                    |                            |
|--------------------|----------------------------|
| DISPLAY DIMENSIONS | 15.75"W x 29.5"H x 10.25"D |
| GRAPHIC SIZE       | 15.75"W x 29.5"H           |

## GRAPHIC MATERIAL

Clear TPU Material

## GRAPHIC FINISHING

Silicone beading sewn onto edge of graphic

## DISPLAY CONSTRUCTION

Aluminum extrusion frame with plastic components

## SHIPPING WEIGHTS & DIMENSIONS

|                     |  |
|---------------------|--|
| Shipping Weight     | 9 lbs (frame only)<br>11 lbs (frame & graphic) |
| Shipping Dimensions | 32.25"W x 3.5"H x 10.25"D                      |

## GRAPHIC TURN AROUND TIME

2 business days after proof approval (up to 6 sets)

|              |     |
|--------------|-----|
| AVAILABILITY | PFC |
|--------------|-----|



TRAVEL BAG CLOSED



TRAVEL BAG OPEN



SILICONE EDGE GRAPHIC INSTALLATION



SINGLE FOOT CONNECTION



VERTICAL PROFILE CONNECTION



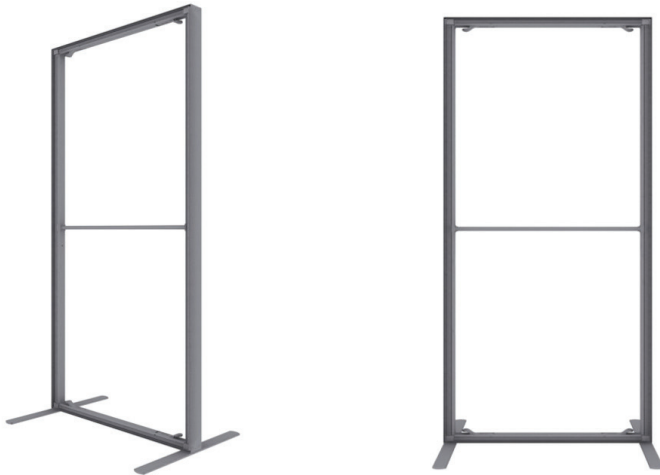
TOOL FREE CORNER LOCKS

# QSEG 1.3 X 2.5FT - BLANK UNPRINTED

QSEG MODULAR SEG DISPLAY  
 PRODUCT CODE: QSEG40x75-U-G



On frame On graphic



TRAVEL BAG CLOSED



TRAVEL BAG OPEN

## PRODUCT DESCRIPTION

Use Qseg for social distancing solutions for work environments as office partitions and cubicles. Help keep safe physical distance between employees and customers with today's health and safety regulations. By strategically placing our lightweight and portable walls. Padded travel bags are included to keep your frames and graphics protected during transport and storage. With many wall sizes and connector accessories. Effortlessly creating numerous configurations that meet your needs.

|                    |                            |
|--------------------|----------------------------|
| DISPLAY DIMENSIONS | 15.75"W x 29.5"H x 10.25"D |
| GRAPHIC SIZE       | 15.75"W x 29.5"H           |

## GRAPHIC MATERIAL

Unprinted Stretch Fabric

## GRAPHIC FINISHING

Silicone beading sewn onto edge of graphic

## DISPLAY CONSTRUCTION

Aluminum extrusion frame with plastic components

## SHIPPING WEIGHTS & DIMENSIONS

|                     |                           |
|---------------------|---------------------------|
| Shipping Weight     | 9 lbs (frame only)        |
|                     | 11 lbs (frame & graphic)  |
| Shipping Dimensions | 32.25"W x 3.5"H x 10.25"D |

## GRAPHIC TURN AROUND TIME

2 business days after proof approval (up to 6 sets)

|              |     |
|--------------|-----|
| AVAILABILITY | PFC |
|--------------|-----|



SILICONE EDGE GRAPHIC INSTALLATION



SINGLE FOOT CONNECTION



VERTICAL PROFILE CONNECTION



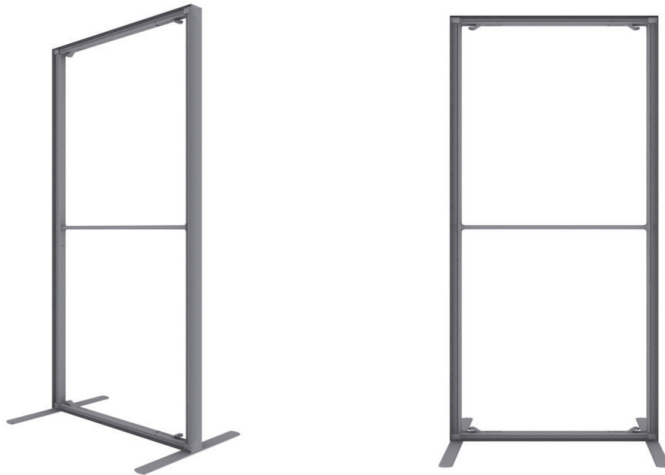
TOOL FREE CORNER LOCKS

# QSEG 1.3 X 2.5FT - PRINTED ANTIMICROBIAL

QSEG MODULAR SEG DISPLAY  
 PRODUCT CODE: QSEG40x75-PAMF-G



On frame On graphic



TRAVEL BAG CLOSED



TRAVEL BAG OPEN

## PRODUCT DESCRIPTION

Use Qseg for social distancing solutions for work environments as office partitions and cubicles. Help keep safe physical distance between employees and customers with today's health and safety regulations. By strategically placing our lightweight and portable walls. Padded travel bags are included to keep your frames and graphics protected during transport and storage. With many wall sizes and connector accessories. Effortlessly creating numerous configurations that meet your needs.

|                    |                            |
|--------------------|----------------------------|
| DISPLAY DIMENSIONS | 15.75"W x 29.5"H x 10.25"D |
| GRAPHIC SIZE       | 15.75"W x 29.5"H           |

## GRAPHIC MATERIAL

Printed Antimicrobial Fabric

## GRAPHIC FINISHING

Silicone beading sewn onto edge of graphic

## DISPLAY CONSTRUCTION

Aluminum extrusion frame with plastic components

## SHIPPING WEIGHTS & DIMENSIONS

|                     |                           |
|---------------------|---------------------------|
| Shipping Weight     | 9 lbs (frame only)        |
|                     | 11 lbs (frame & graphic)  |
| Shipping Dimensions | 32.25"W x 3.5"H x 10.25"D |

## GRAPHIC TURN AROUND TIME

2 business days after proof approval (up to 6 sets)

|              |     |
|--------------|-----|
| AVAILABILITY | PFC |
|--------------|-----|



SILICONE EDGE GRAPHIC INSTALLATION



SINGLE FOOT CONNECTION



VERTICAL PROFILE CONNECTION



TOOL FREE CORNER LOCKS

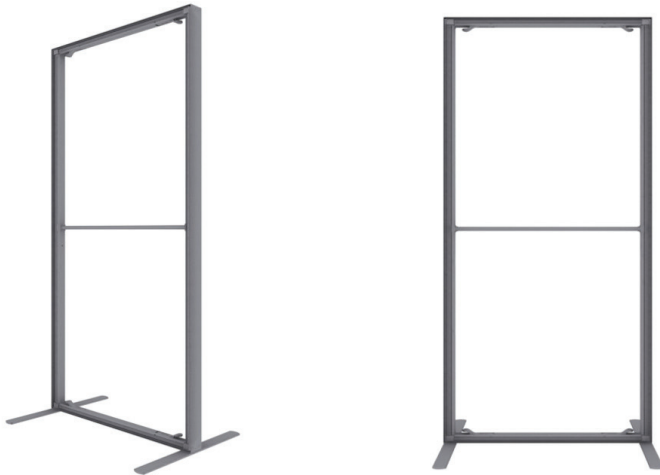


# QSEG 1.3 X 2.5FT - UNPRINTED ANTIMICROBIAL FABRIC

QSEG MODULAR SEG DISPLAY  
 PRODUCT CODE: QSEG40x75-UPAMF-G



On frame On graphic



TRAVEL BAG CLOSED



TRAVEL BAG OPEN

## PRODUCT DESCRIPTION

Use Qseg for social distancing solutions for work environments as office partitions and cubicles. Help keep safe physical distance between employees and customers with today's health and safety regulations. By strategically placing our lightweight and portable walls. Padded travel bags are included to keep your frames and graphics protected during transport and storage. With many wall sizes and connector accessories. Effortlessly creating numerous configurations that meet your needs.

|                    |                            |
|--------------------|----------------------------|
| DISPLAY DIMENSIONS | 15.75"W x 29.5"H x 10.25"D |
| GRAPHIC SIZE       | 15.75"W x 29.5"H           |

## GRAPHIC MATERIAL

Unprinted Antimicrobial Fabric

## GRAPHIC FINISHING

Silicone beading sewn onto edge of graphic

## DISPLAY CONSTRUCTION

Aluminum extrusion frame with plastic components

## SHIPPING WEIGHTS & DIMENSIONS

|                     |  |
|---------------------|--|
| Shipping Weight     | 9 lbs (frame only)<br>11 lbs (frame & graphic) |
| Shipping Dimensions | 32.25"W x 3.5"H x 10.25"D                      |

## GRAPHIC TURN AROUND TIME

2 business days after proof approval (up to 6 sets)

|              |     |
|--------------|-----|
| AVAILABILITY | PFC |
|--------------|-----|



SILICONE EDGE GRAPHIC INSTALLATION



SINGLE FOOT CONNECTION



VERTICAL PROFILE CONNECTION



TOOL FREE CORNER LOCKS

# QSEG 1.3 X 2.5FT

QSEG MODULAR SEG DISPLAY

PRODUCT CODE: QSEG-40x75-G

## PARTS LIST



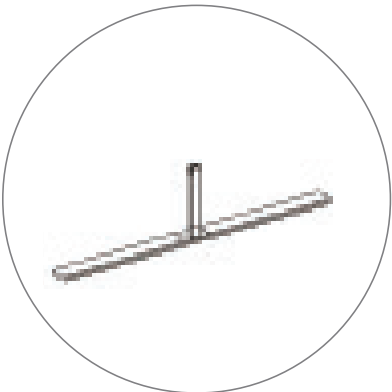
(qty 2)  
Horizontal Profile



(qty 2)  
Vertical Profile Top



(qty 2)  
Vertical Profile Bottom



(qty 2)  
Foot (Full)

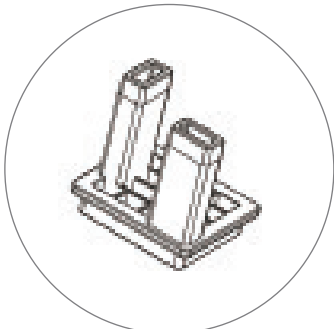


(qty 1)  
Travel Bag

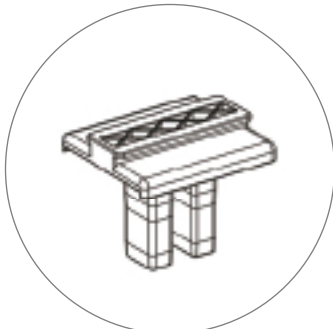
# QSEG 1.3 X 2.5FT

QSEG MODULAR SEG DISPLAY  
PRODUCT CODE: QSEG-40x75-G

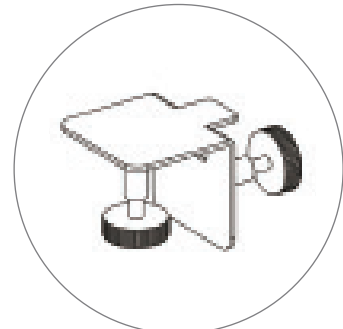
## AVAILABLE ACCESSORIES



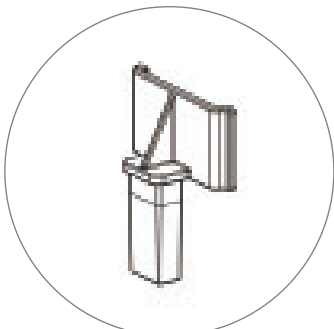
QSEG-LCON  
Qseg L connector (pair)



QSEG-SCON  
QSEG Straight Connector



QSEG-BC  
QSEG Bridge Connector



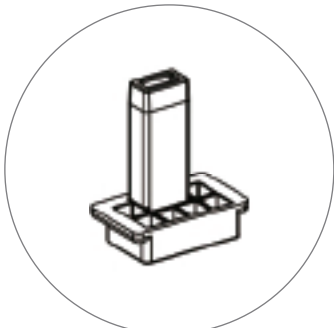
QSEG-LHCON  
QSEG Low-High Connector



QSEG-TCON  
QSEG T Connector



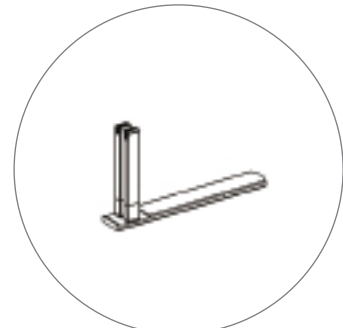
QSEG-CC  
QSEG Cross Connector



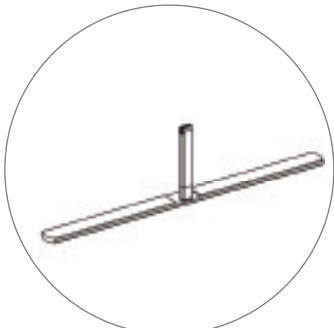
QSEG-FP  
QSEG Foot Pad



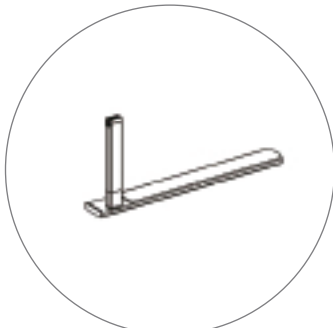
QSEG-TPF  
QSEG Twin Pole Foot (Full)



QSEG-TPFH  
QSEG Twin Pole Foot (Half)



QSEG-FF  
QSEG Foot (Full)

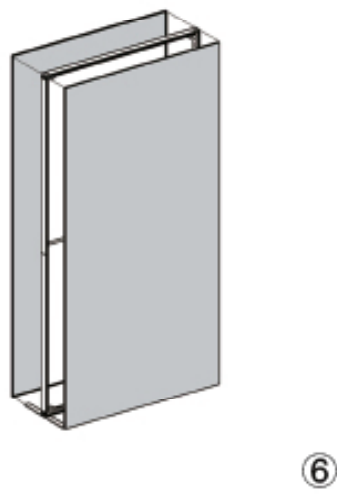
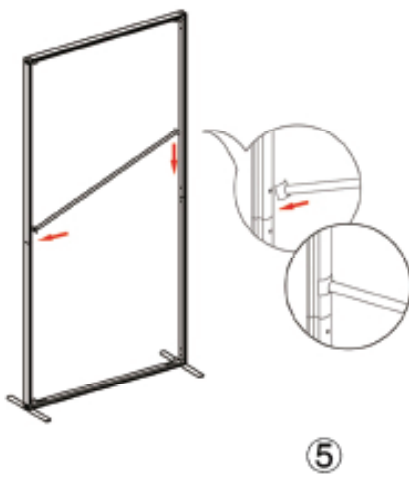
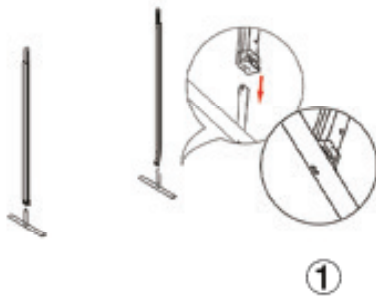


QSEG-FH  
QSEG Foot (Half)



LA CAJA  
La Caja Hardcase

## SET UP INSTRUCTIONS





## TEMPLATE

PLEASE DELETE ALL TEMPLATE ELEMENTS BEFORE UPLOADING

### QSEG 1.3 x 2.5ft

GRAPHIC DIMENSIONS: 15.75"W x 29.5" H  
YELLOW SAFE AREA: 9.25"W x 21.5" H

UPLOAD AT 100% SCALE  
DOCUMENT SIZE 47.25" x 29.5"  
USE SAME TEMPLATE FOR FRONT AND BACK

**KEEP ALL IMPORTANT GRAPHICS  
SUCH AS: LOGOS, TEXT, CONTACT INFO, ETC.  
IN THE YELLOW SAFE ZONE**

**ARTWORK IN THE BLUE AREA WILL PRINT BUT IS IN RISK  
OF BEING CLOSE TO THE EDGE OR TRIMMED OFF**

#### Graphic Specifications:

- Create to template specs
- 125 DPI resolution
- CMYK color
- No template lines
- Embed/link all images
- Create to outline all fonts

#### Acceptable File Extension:

- Photoshop (.psd, .psb)
- Illustrator (.ai, .eps)
- ~~Illustrator .dml~~
- Press quality .pdf

Ver-0622.20