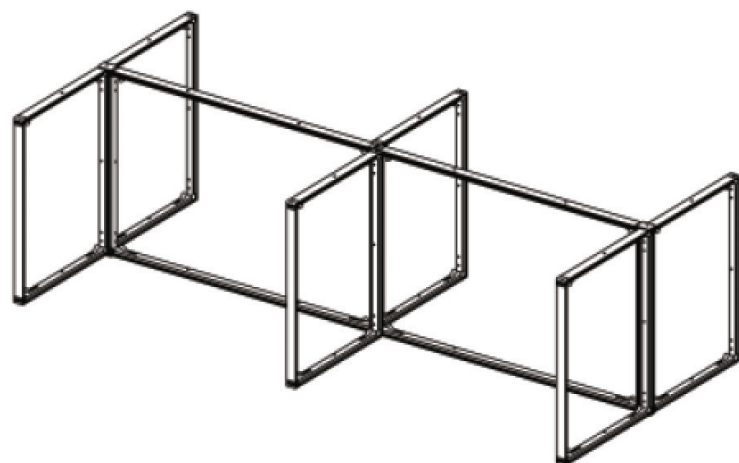
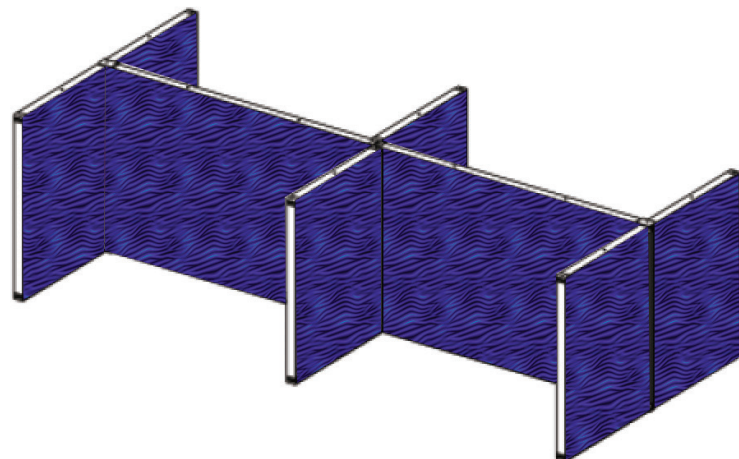


# QSEG DESKTOP PARTITION DOUBLE - FULL GRAPHIC PRINT

QSEG MODULAR SEG DISPLAY  
 PRODUCT CODE: QSEGDESKTOP-DBL-FCP-GP



## PRODUCT DESCRIPTION

Use Qseg for social distancing solutions for work environments as office partitions and cubicles. Help keep safe physical distance between employees and customers with today's health and safety regulations. By strategically placing our lightweight and portable walls. Padded travel bags are included to keep your frames and graphics protected during transport and storage. With many wall sizes and connector accessories. Effortlessly creating numerous configurations that meet your needs. Connector options are either 2 way (90°) or 4 way (180°). Other graphic options are full custom printed dye sublimated graphics or TPU plastic for hygienic sneeze guards and partitions.

DISPLAY DIMENSIONS	94.5"W x 29.5"H x 15.75"D
GRAPHIC SIZES	47.25"W x 29.5"H - 2 Frames 15.75"W x 29.5"H - 3 Frames

## GRAPHIC MATERIAL

Dye Sub Stretch Fabric

## GRAPHIC FINISHING

Silicone beading sewn onto edge of graphic

## DISPLAY CONSTRUCTION

Aluminum extrusion frame with plastic components

## SHIPPING WEIGHTS & DIMENSIONS

Shipping Weight	57 lbs (frames only) 67 lbs (frames & graphics)
Shipping Dimensions (each box)	48.5"W x 3.5"H x 10.25"D (2 boxes) 32.25"W x 3.5"H x 10.25"D (3 boxes)

## GRAPHIC TURN AROUND TIME

2 business days after proof approval (up to 2 sets)



TOOL FREE ASSEMBLY



SEG GRAPHIC FINISHING



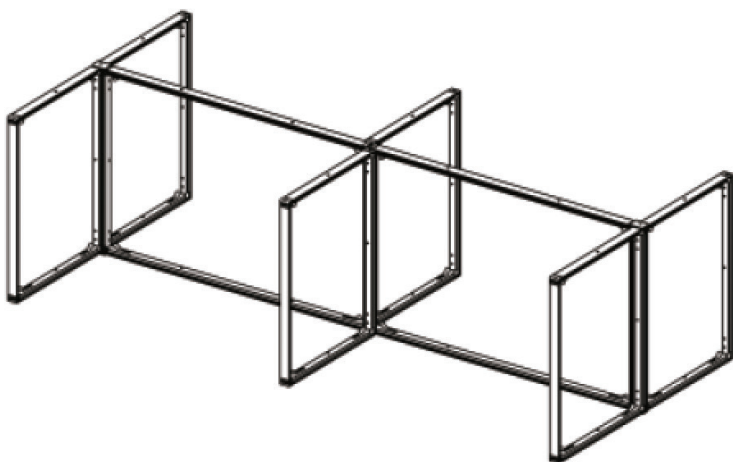
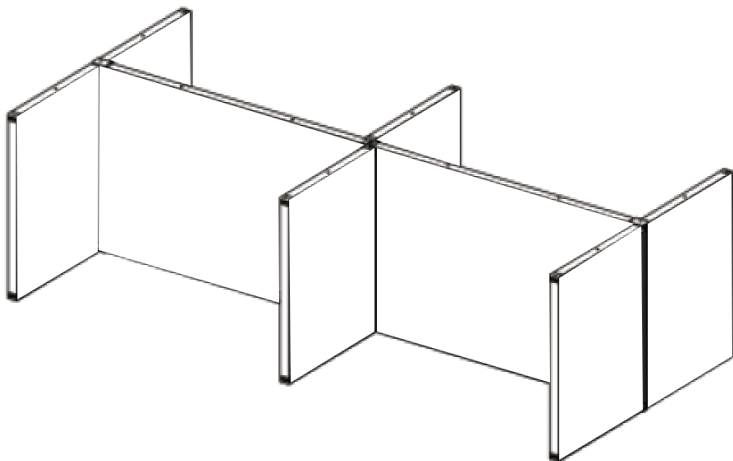
90° CORNER CONNECTION



T-CONNECTION

# QSEG DESKTOP PARTITION DOUBLE - BLANK PRINT

QSEG MODULAR SEG DISPLAY  
 PRODUCT CODE: QSEGDESKTOP-DBL-U-GP



## PRODUCT DESCRIPTION

Use Qseg for social distancing solutions for work environments as office partitions and cubicles. Help keep safe physical distance between employees and customers with today's health and safety regulations. By strategically placing our lightweight and portable walls. Padded travel bags are included to keep your frames and graphics protected during transport and storage. With many wall sizes and connector accessories. Effortlessly creating numerous configurations that meet your needs. Connector options are either 2 way (90°) or 4 way (180°). Other graphic options are full custom printed dye sublimated graphics or TPU plastic for hygienic sneeze guards and partitions.

DISPLAY DIMENSIONS	94.5"W x 29.5"H x 15.75"D
GRAPHIC SIZES	47.25"W x 29.5"H - 2 Frames 15.75"W x 29.5"H - 3 Frames

## GRAPHIC MATERIAL

Unprinted Stretch Fabric

## GRAPHIC FINISHING

Silicone beading sewn onto edge of graphic

## DISPLAY CONSTRUCTION

Aluminum extrusion frame with plastic components

## SHIPPING WEIGHTS & DIMENSIONS

Shipping Weight	57 lbs (frames only) 67 lbs (frames & graphics)
Shipping Dimensions (each box)	48.5"W x 3.5"H x 10.25"D (2 boxes) 32.25"W x 3.5"H x 10.25"D (3 boxes)

## GRAPHIC TURN AROUND TIME



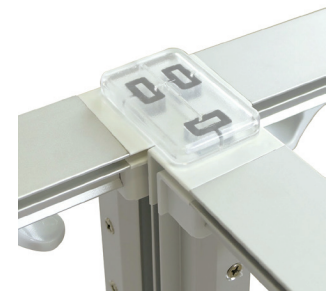
TOOL FREE ASSEMBLY



SEG GRAPHIC FINISHING



90° CORNER CONNECTION



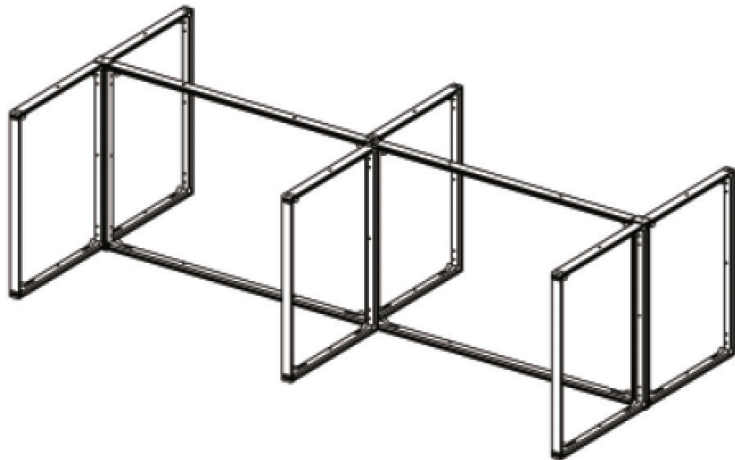
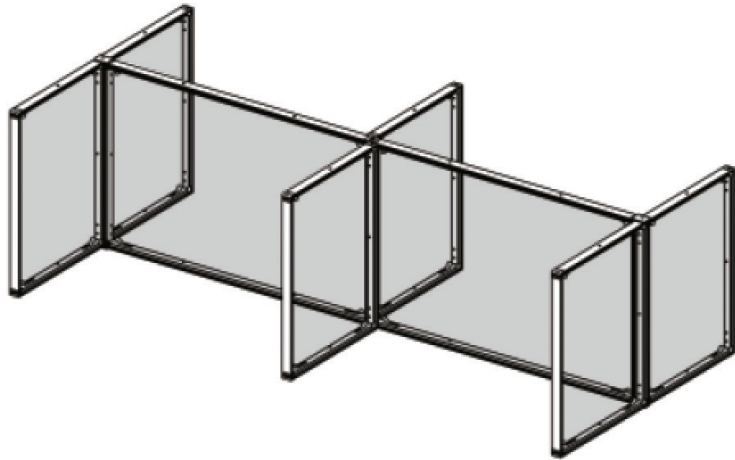
T-CONNECTION

# QSEG DESKTOP PARTITION DOUBLE - TPU

QSEG MODULAR SEG DISPLAY  
 PRODUCT CODE: QSEGDESKTOP-DBL-CW-GP



On frame On graphic



## PRODUCT DESCRIPTION

Use Qseg for social distancing solutions for work environments as office partitions and cubicles. Help keep safe physical distance between employees and customers with today's health and safety regulations. By strategically placing our lightweight and portable walls. Padded travel bags are included to keep your frames and graphics protected during transport and storage. With many wall sizes and connector accessories. Effortlessly creating numerous configurations that meet your needs. Connector options are either 2 way (90°) or 4 way (180°). Other graphic options are full custom printed dye sublimated graphics or TPU plastic for hygienic sneeze guards and partitions.

DISPLAY DIMENSIONS	94.5"W x 29.5"H x 15.75"D
GRAPHIC SIZES	47.25"W x 29.5"H - 2 Frames 15.75"W x 29.5"H - 3 Frames

## GRAPHIC MATERIAL

Clear TPU Plastic

## GRAPHIC FINISHING

Silicone beading sewn onto edge of graphic

## DISPLAY CONSTRUCTION

Aluminum extrusion frame with plastic components

## SHIPPING WEIGHTS & DIMENSIONS

Shipping Weight	57 lbs (frames only) 67 lbs (frames & graphics)
Shipping Dimensions (each box)	48.5"W x 3.5"H x 10.25"D (2 boxes) 32.25"W x 3.5"H x 10.25"D (3 boxes)

## GRAPHIC TURN AROUND TIME



TOOL FREE ASSEMBLY



SEG GRAPHIC FINISHING



90° CORNER CONNECTION

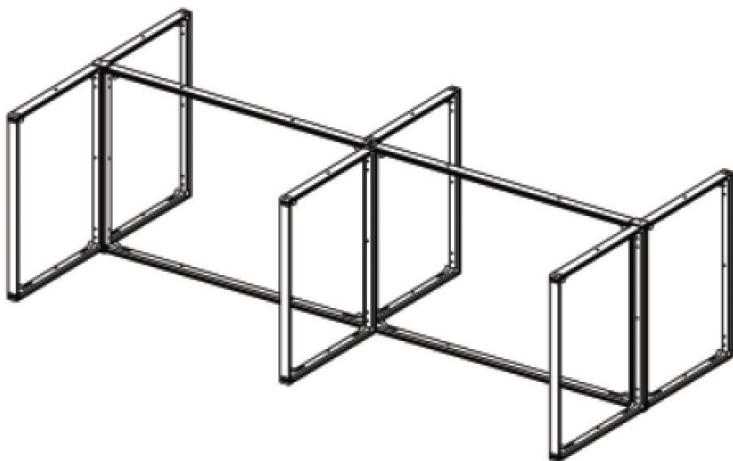
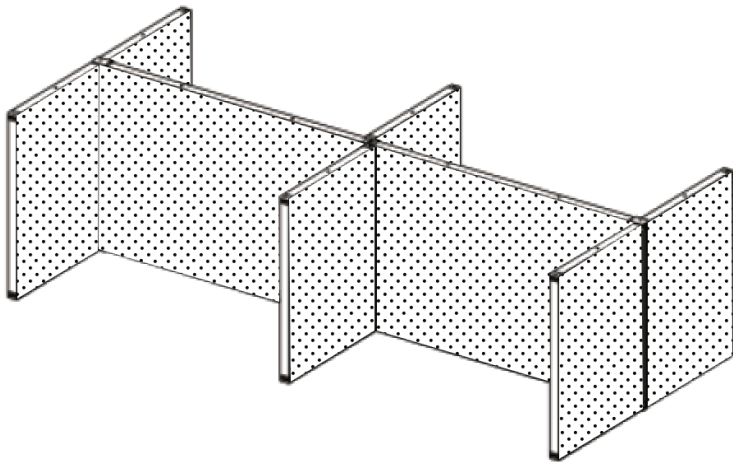


T-CONNECTION



# QSEG DESKTOP PARTITION DOUBLE - PRINTED ANTIMICROBIAL

QSEG MODULAR SEG DISPLAY  
 PRODUCT CODE: QSEGDESKTOP-DBL-PAMF-GP



## PRODUCT DESCRIPTION

Use Qseg for social distancing solutions for work environments as office partitions and cubicles. Help keep safe physical distance between employees and customers with today's health and safety regulations. By strategically placing our lightweight and portable walls. Padded travel bags are included to keep your frames and graphics protected during transport and storage. With many wall sizes and connector accessories. Effortlessly creating numerous configurations that meet your needs. Connector options are either 2 way (90°) or 4 way (180°). Other graphic options are full custom printed dye sublimated graphics or TPU plastic for hygienic sneeze guards and partitions.

DISPLAY DIMENSIONS	94.5"W x 29.5"H x 15.75"D
GRAPHIC SIZE	47.25"W x 29.5"H - 2 Frames 15.75"W x 29.5"H - 3 Frames

## GRAPHIC MATERIAL

Antimicrobial Fabric

## GRAPHIC FINISHING

Silicone beading sewn onto edge of graphic

## DISPLAY CONSTRUCTION

Aluminum extrusion frame with plastic components

## SHIPPING WEIGHTS & DIMENSIONS

Shipping Weight	57 lbs (frames only) 67 lbs (frames & graphics)
Shipping Dimensions (each box)	48.5"W x 3.5"H x 10.25"D (2 boxes) 32.25"W x 3.5"H x 10.25"D (3 boxes)

## GRAPHIC TURN AROUND TIME

2 business days after proof approval (up to 2 sets)



TOOL FREE ASSEMBLY



SEG GRAPHIC FINISHING



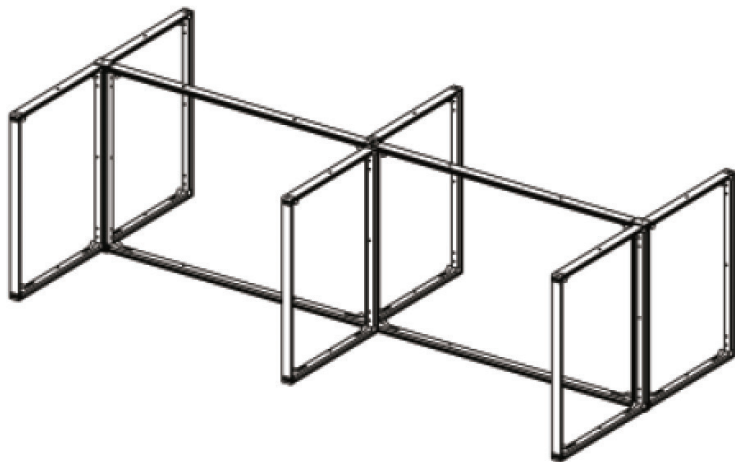
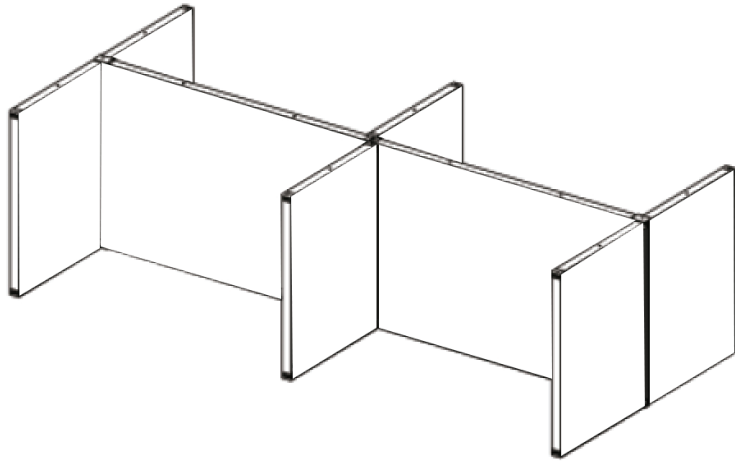
90° CORNER CONNECTION



T-CONNECTION

# QSEG DESKTOP PARTITION DOUBLE - UNPRINTED ANTIMICROBIAL

QSEG MODULAR SEG DISPLAY  
 PRODUCT CODE: QSEGDESKTOP-DBL-UPAMF-GP



## PRODUCT DESCRIPTION

Use Qseg for social distancing solutions for work environments as office partitions and cubicles. Help keep safe physical distance between employees and customers with today's health and safety regulations. By strategically placing our lightweight and portable walls. Padded travel bags are included to keep your frames and graphics protected during transport and storage. With many wall sizes and connector accessories. Effortlessly creating numerous configurations that meet your needs. Connector options are either 2 way (90°) or 4 way (180°). Other graphic options are full custom printed dye sublimated graphics or TPU plastic for hygienic sneeze guards and partitions.

DISPLAY DIMENSIONS	94.5"W x 29.5"H x 15.75"D
GRAPHIC SIZE	47.25"W x 29.5"H - 2 Frames 15.75"W x 29.5"H - 3 Frames

## GRAPHIC MATERIAL

Unprinted Antimicrobial Fabric

## GRAPHIC FINISHING

Silicone beading sewn onto edge of graphic

## DISPLAY CONSTRUCTION

Aluminum extrusion frame with plastic components

## SHIPPING WEIGHTS & DIMENSIONS

Shipping Weight	57 lbs (frames only) 67 lbs (frames & graphics)
Shipping Dimensions (each box)	48.5"W x 3.5"H x 10.25"D (2 boxes) 32.25"W x 3.5"H x 10.25"D (3 boxes)

## GRAPHIC TURN AROUND TIME

2 business days after proof approval (up to 2 sets)



TOOL FREE ASSEMBLY



SEG GRAPHIC FINISHING



90° CORNER CONNECTION



T-CONNECTION

# QSEG DESKTOP PARTITION DOUBLE

QSEG MODULAR SEG DISPLAY  
PRODUCT CODE: QSEGDESKTOP



On frame



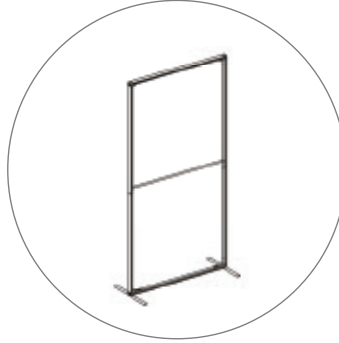
On graphic



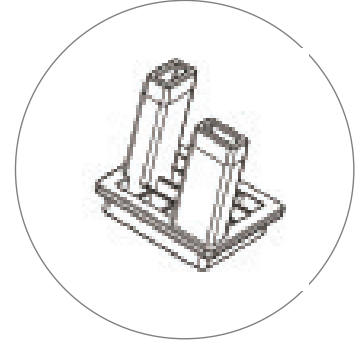
## PARTS LIST



(qty 2)  
QSEG-120X75



(qty 3)  
QSEG-40x75



(qty 2 pair)  
QSEG-LCON



(qty 2 pair)  
QSEG-TCON

# QSEG DESKTOP PARTITION DOUBLE

QSEG MODULAR SEG DISPLAY  
PRODUCT CODE: QSEGDESKTOP



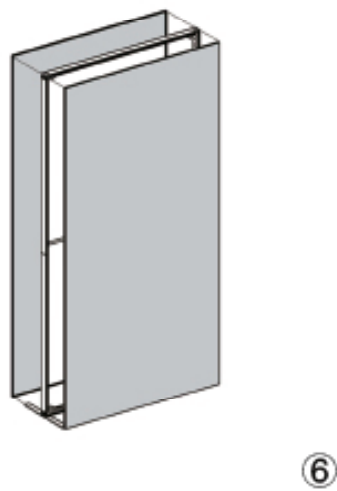
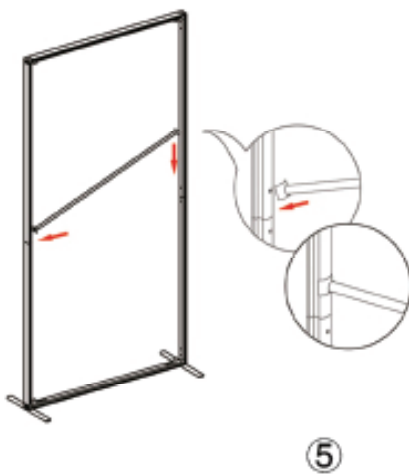
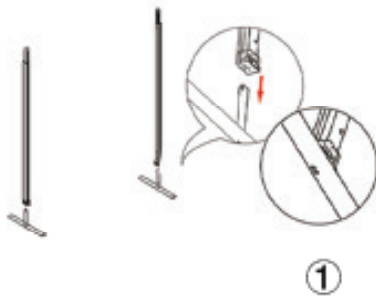
On frame



On graphic



## SET UP INSTRUCTIONS



# QSEG DESKTOP PARTITION DOUBLE

QSEG MODULAR SEG DISPLAY  
PRODUCT CODE: QSEGDESKTOP



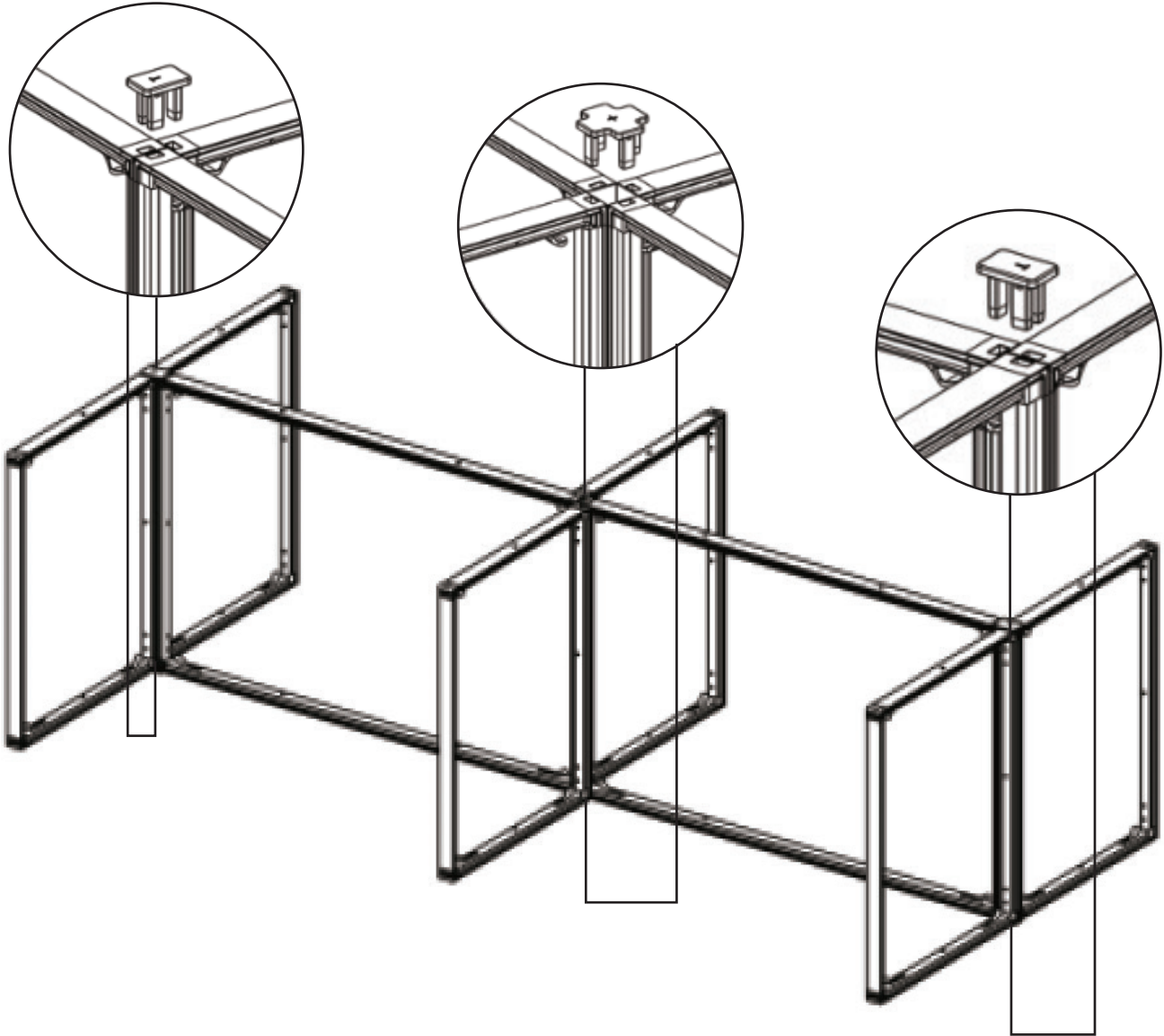
On frame



On graphic



## SET UP INSTRUCTIONS DESKTOP PARTITION ASSEMBLY







## TEMPLATE

PLEASE DELETE ALL TEMPLATE ELEMENTS BEFORE UPLOADING

### QSEG 120 x 75

#### Desktop Partition Double

GRAPHIC DIMENSIONS: 47.25" W x 29.5" H

YELLOW SAFE AREA: 38.25" W x 21.5" H

USE TEMPLATE 4 TIMES TOTAL (2 FRONT/2 BACK)

UPLOAD AT 100% SCALE

DOCUMENT SIZE 47.25" x 29.5"

USE SAME TEMPLATE FOR FRONT AND BACK

**KEEP ALL IMPORTANT GRAPHICS  
SUCH AS: LOGOS, TEXT, CONTACT INFO, ETC.  
IN THE YELLOW SAFE ZONE**

**ARTWORK IN THE BLUE AREA WILL PRINT BUT IS IN RISK  
OF BEING CLOSE TO THE EDGE OR TRIMMED OFF**

- |                                |                                 |
|--------------------------------|---------------------------------|
| <b>Graphic Specifications:</b> | <b>Acceptable file formats:</b> |
| - Create to template specs     | - Photoshop (.psd, .psb)        |
| - 125 DPI resolution           | - Illustrator (.ai, .eps)       |
| - CMYK color                   | - Flattened .tiff               |
| - No template lines            | - Press quality .pdf            |
| - Embed/link all images        |                                 |
| - Create to outline all fonts  |                                 |

Ver-1008.20

PLEASE DELETE ALL TEMPLATE ELEMENTS BEFORE UPLOADING

### QSEG 40x75

#### Desktop Partition Double

GRAPHIC DIMENSIONS: 15.75" W x 29.5" H

YELLOW SAFE AREA: 9.75" W x 23.5" H

UPLOAD AT 100% SCALE  
DOCUMENT SIZE 17.75" x 31.5"

USE TEMPLATE 6 TIMES TOTAL (3 FRONT/3 BACK)  
REFERENCE TEMPLATE GUIDE FOR TEMPLATE LOCATIONS  
ANY CONTINUOUS ARTWORK TO MATCH UP OR LINE UP  
WITH ANOTHER PRINT MAY NOT LINE UP PERFECTLY

**KEEP ALL IMPORTANT GRAPHICS  
SUCH AS: LOGOS, TEXT, CONTACT INFO, ETC.  
IN THE YELLOW SAFE ZONE**

**ARTWORK IN THE BLUE AREA WILL PRINT BUT IS IN RISK  
OF BEING CLOSE TO THE EDGE OR TRIMMED OFF**

- |                                |                                 |
|--------------------------------|---------------------------------|
| <b>Graphic Specifications:</b> | <b>Acceptable file formats:</b> |
| - Create to template specs     | - Photoshop (.psd, .psb)        |
| - 125 DPI resolution           | - Illustrator (.ai, .eps)       |
| - CMYK color                   | - Flattened .tiff               |
| - No template lines            | - Press quality .pdf            |
| - Embed/link all images        |                                 |
| - Create to outline all fonts  |                                 |

Ver-105.20