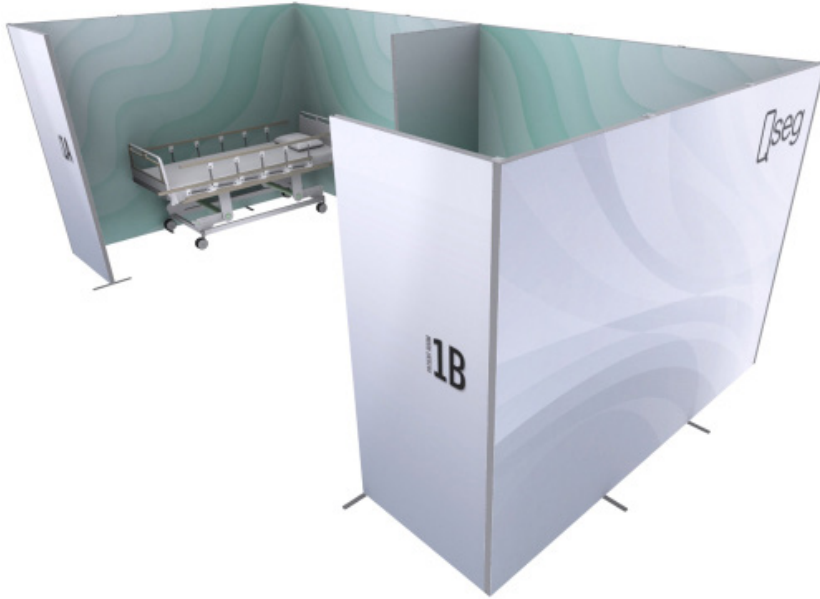


# QSEG ISOLATION ROOM DOUBLE

QSEG MODULAR SEG DISPLAY  
 PRODUCT CODE: QSEGISOLATION-DR-FCP-GP



On frame On graphic



## PRODUCT DESCRIPTION

Use Qseg for social distancing solutions for work environments as office partitions and cubicles. Help keep safe physical distance between employees and customers with today's health and safety regulations. By strategically placing our lightweight and portable walls. Padded travel bags are included to keep your frames and graphics protected during transport and storage. With many wall sizes and connector accessories. Effortlessly creating numerous configurations that meet your needs. Connector options are either 2 way (90°) or 4 way (180°). Other graphic options are full custom printed dye sublimated graphics or TPU plastic for hygienic sneeze guards and partitions.

DISPLAY DIMENSIONS	236"W x 88.5"H x 118"D
GRAPHIC SIZE (each frame)	41.5"W x 91"H

## GRAPHIC MATERIAL

Dye Sub Stretch Fabric

## GRAPHIC FINISHING

Silicone beading sewn onto edge of graphic

## DISPLAY CONSTRUCTION

Aluminum extrusion frame with plastic components

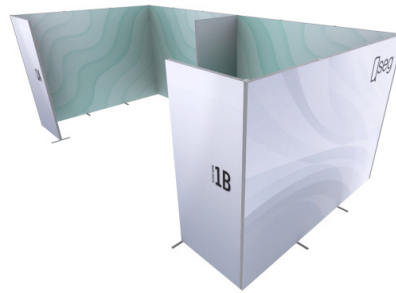
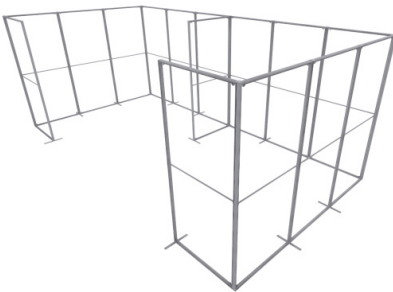
## SHIPPING WEIGHTS & DIMENSIONS

Shipping Weight (each box)	16 lbs (SEGO-100x225) (3 boxes)
	40 lbs (SEGO-300x225) (4 boxes)
Shipping Dimensions (each box)	47.25"W x 4"H x 10.25"D (3 boxes)
	47.25"W x 10.25"H x 10.25"D (4 boxes)

## GRAPHIC TURN AROUND TIME

2 business days after proof approval (up to 2 sets)

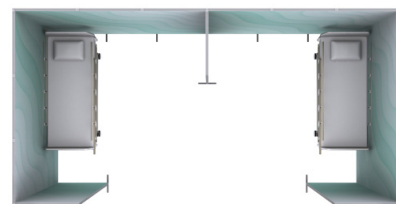
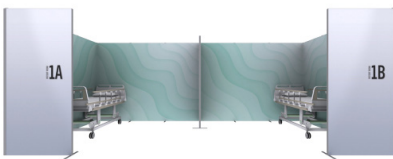
AVAILABILITY	PFC
--------------	-----



TOOL FREE ASSEMBLY



T CONNECTION



90° CORNER CONNECTION



STRAIGHT CONNECTION

# QSEG ISOLATION ROOM DOUBLE

QSEG MODULAR SEG DISPLAY  
PRODUCT CODE: QSEGISOLATION-DR-FCP-GP



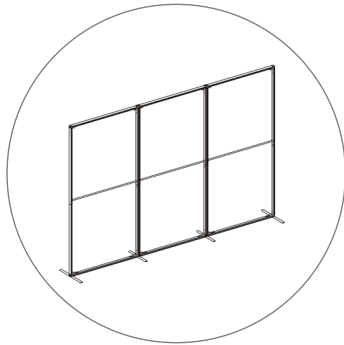
On frame



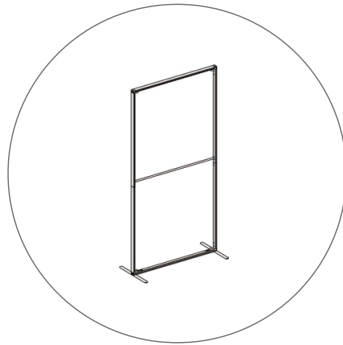
On graphic



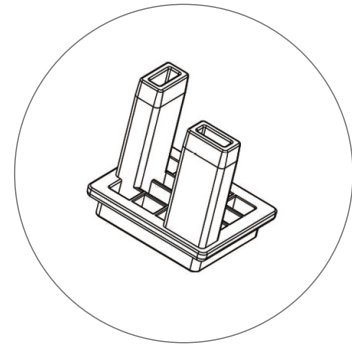
## PARTS LIST



(qty 4)  
QSEG-300X225



(qty 3)  
QSEG-100x225



(qty 4) (pair)  
QSEG-LCON



(qty 2)  
QSEG-TCON

# QSEG ISOLATION ROOM DOUBLE

QSEG MODULAR SEG DISPLAY  
PRODUCT CODE: QSEGISOLATION-DR-FCP-GP



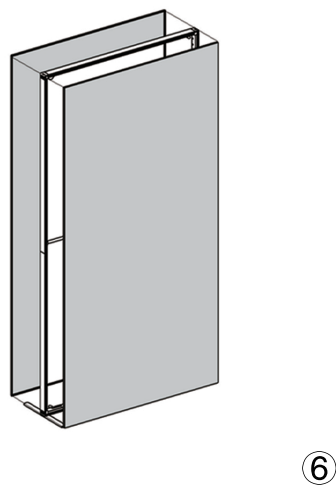
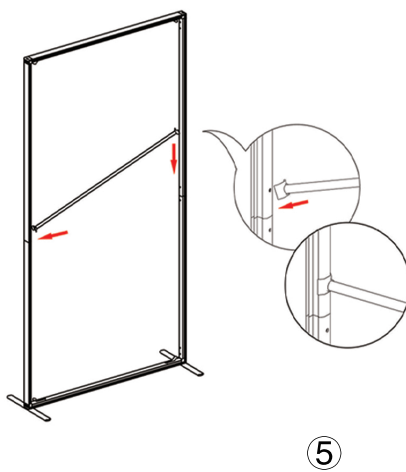
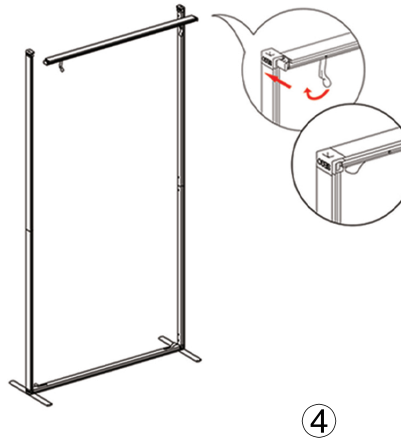
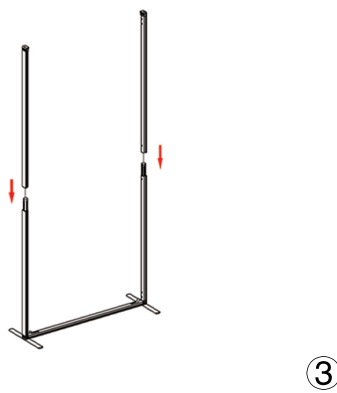
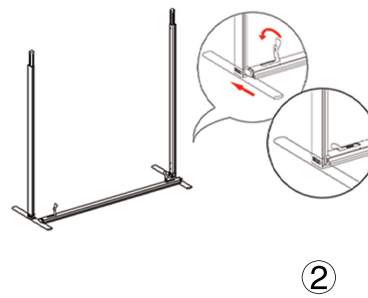
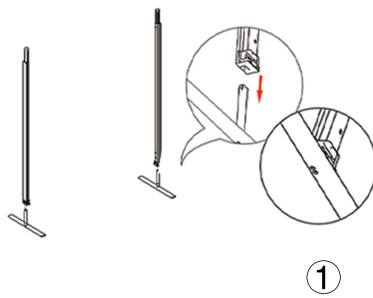
On frame



On graphic



## SET UP INSTRUCTIONS SINGLE FRAME ASSEMBLY



# QSEG ISOLATION ROOM DOUBLE

QSEG MODULAR SEG DISPLAY  
PRODUCT CODE: QSEGISOLATION-DR-FCP-GP



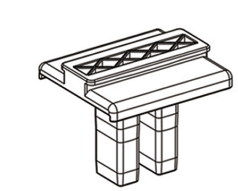
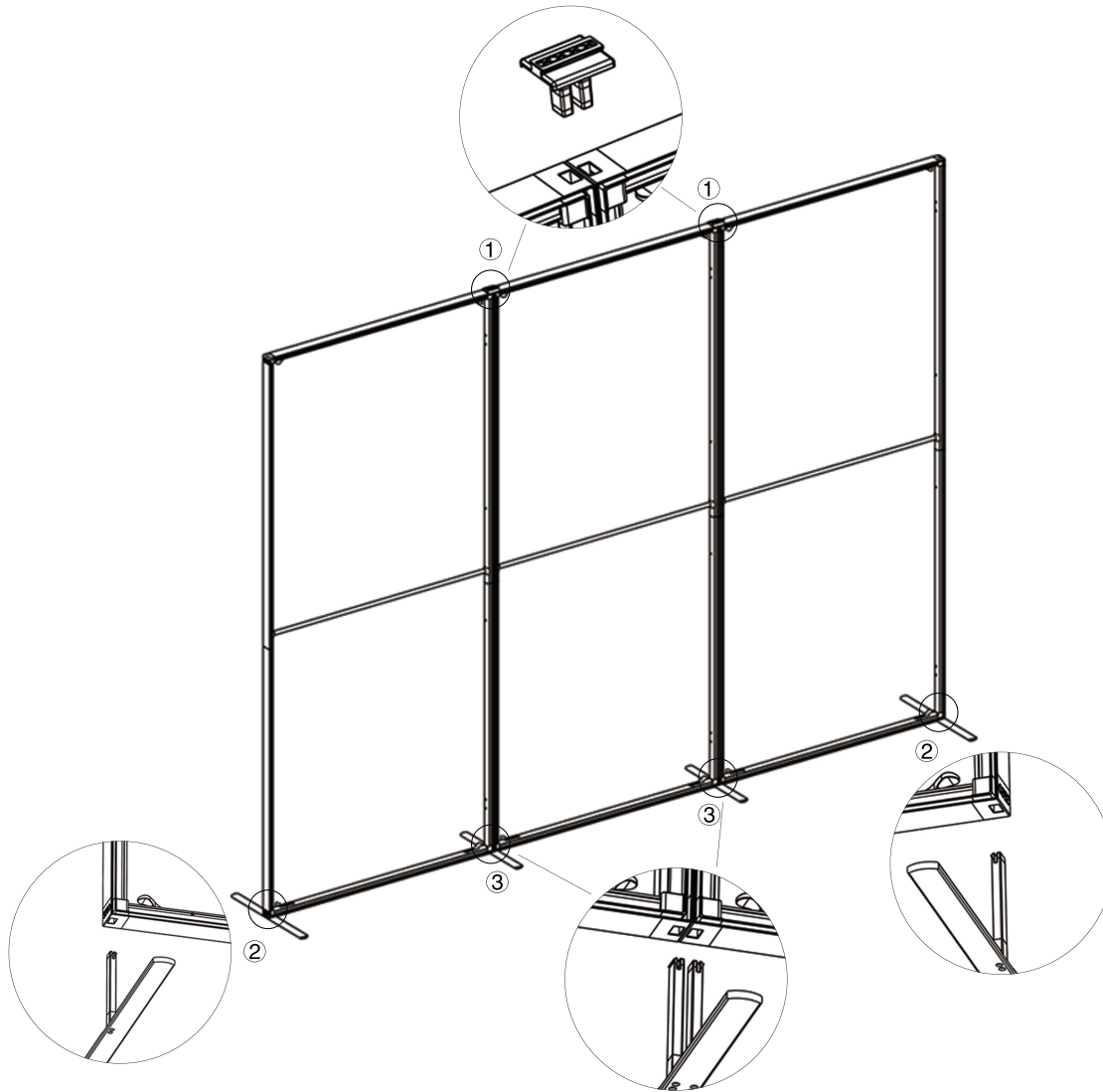
On frame



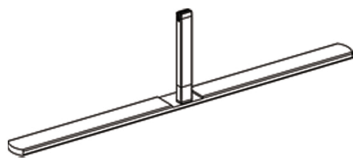
On graphic



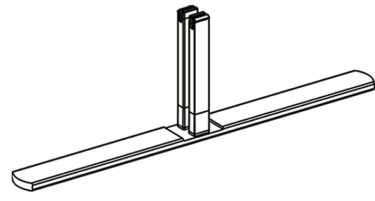
## SET UP INSTRUCTIONS 3 FRAME CONNECTION (QSEG 9.8 X 7.4FT)



① Straight Connector



② Foot



③ Twin Pole Foot

# QSEG ISOLATION ROOM DOUBLE

QSEG MODULAR SEG DISPLAY  
PRODUCT CODE: QSEGISOLATION-DR-FCP-GP



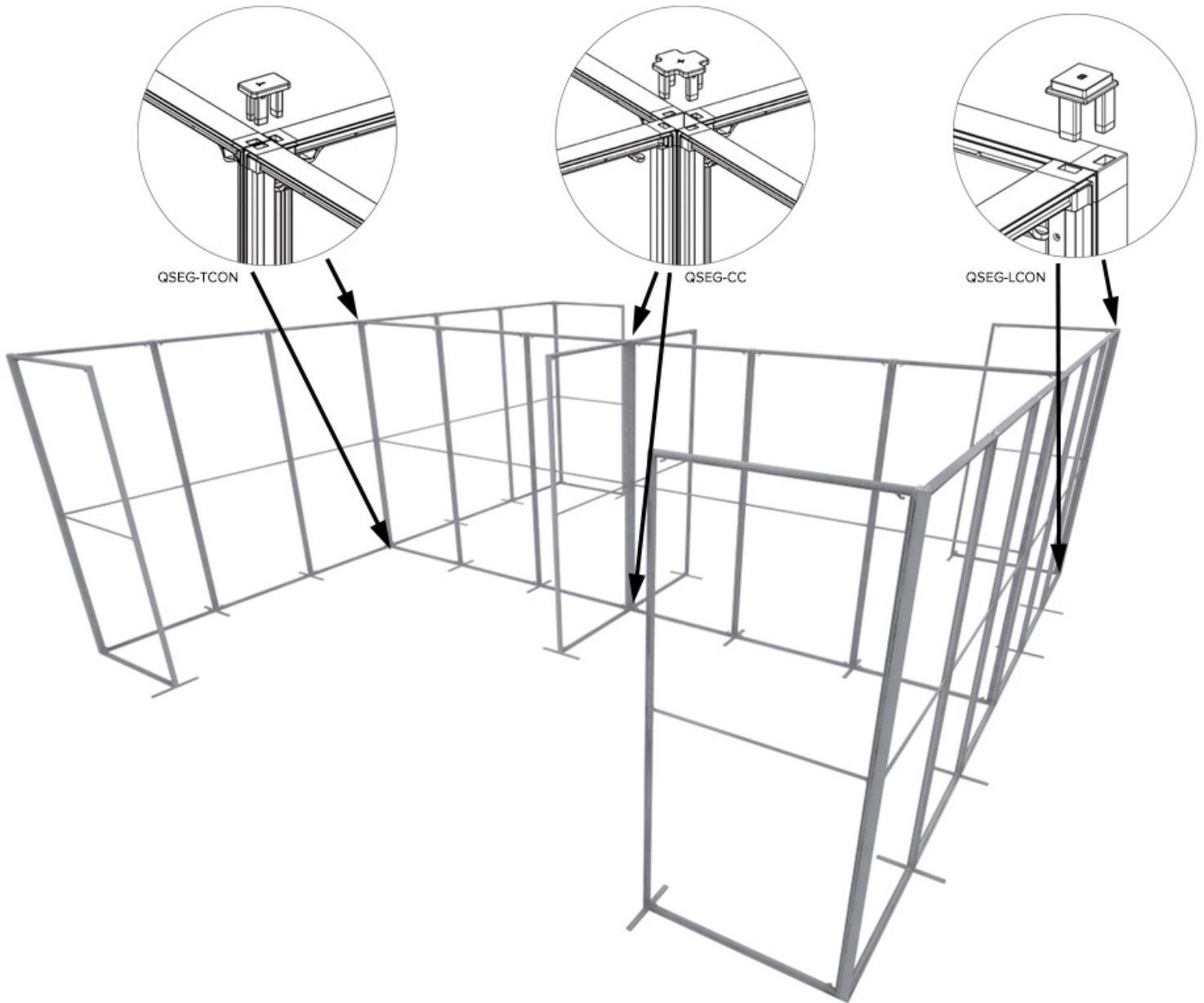
On frame



On graphic



## SET UP INSTRUCTIONS ISOLATION ROOM ASSEMBLY



# QSEG ISOLATION ROOM DOUBLE

QSEG MODULAR SEG DISPLAY  
PRODUCT CODE: QSEGISOLATION-DR-FCP-GP



On frame



On graphic



## TEMPLATE

PLEASE DELETE ALL TEMPLATE ELEMENTS BEFORE UPLOADING

### QSEG ISOLATION ROOM DOUBLE

GRAPHIC DIMENSIONS: 41.5"W x 91" H  
YELLOW SAFE AREA: 33.5"W x 83" H

UPLOAD AT 100% SCALE  
DOCUMENT SIZE 41.5" x 91"

USE TEMPLATE 30 TIMES TOTAL (15 FRONT/15 BACK)  
REFERENCE TEMPLATE GUIDE FOR TEMPLATE LOCATIONS  
ANY CONTINUOUS ARTWORK TO MATCH UP OR LINE UP  
WITH ANOTHER PRINT MAY NOT LINE UP PERFECTLY

**KEEP ALL IMPORTANT GRAPHICS SUCH AS: LOGOS, TEXT, CONTACT INFO, ETC. IN THE YELLOW SAFE ZONE**

**ARTWORK IN THE BLUE AREA WILL PRINT BUT IS IN RISK OF BEING CLOSE TO THE EDGE OR TRIMMED OFF**

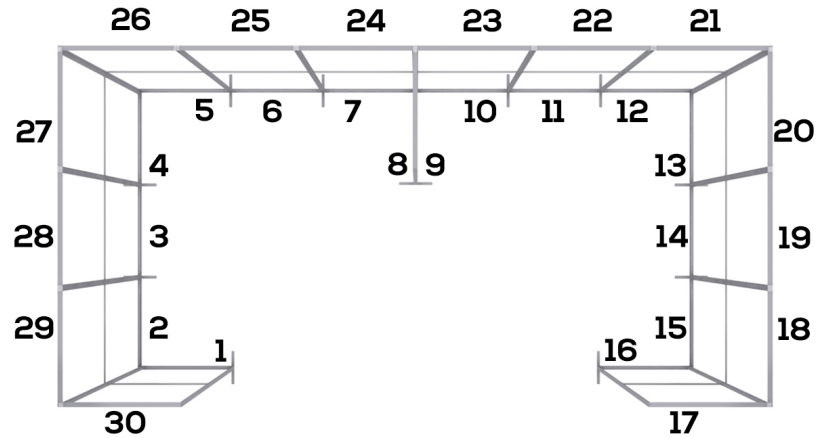
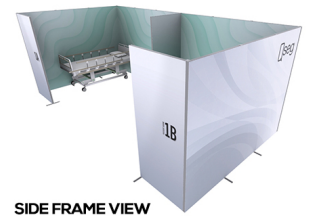
**Graphic Specifications:**

- Create to template specs
- 125 DPI resolution
- CMYK color
- No template lines
- Embed/link all images
- Create to outline all fonts

**Acceptable file formats:**

- Photoshop (.psd, .psb)
- Illustrator (.ai, .eps)
- Flattened .tiff
- Press quality .pdf

Ver-0622.20



AERIAL FRAME VIEW

NUMBERS ON THE IMAGE ABOVE INDICATE THE TEMPLATE LOCATION # ON FRAME  
PLEASE ADD TEMPLATE LOCATION # TO END OF FILENAME. EX: "QSEG-ISOLATION ROOM-DOUBLE-1"