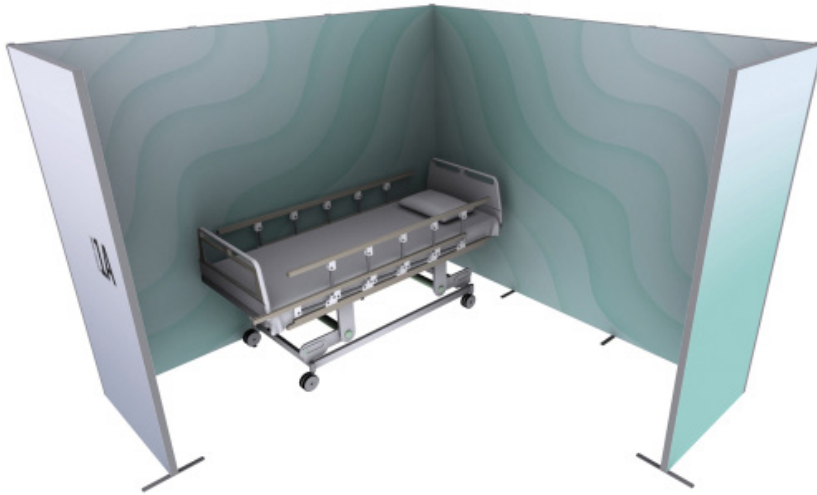


QSEG ISOLATION ROOM SINGLE

QSEG MODULAR SEG DISPLAY
 PRODUCT CODE: QSEGISOLATION-SR-FCP-GP



On frame On graphic



PRODUCT DESCRIPTION

Use Qseg for social distancing solutions for work environments as office partitions and cubicles. Help keep safe physical distance between employees and customers with today's health and safety regulations. By strategically placing our lightweight and portable walls. Padded travel bags are included to keep your frames and graphics protected during transport and storage. With many wall sizes and connector accessories. Effortlessly creating numerous configurations that meet your needs. Connector options are either 2 way (90°) or 4 way (180°). Other graphic options are full custom printed dye sublimated graphics or TPU plastic for hygienic sneeze guards and partitions.

DISPLAY DIMENSIONS	118"W x 88.5"H x 118"D
GRAPHIC SIZE (each frame)	41.5"W x 91"H

GRAPHIC MATERIAL

Dye Sub Stretch Fabric

GRAPHIC FINISHING

Silicone beading sewn onto edge of graphic

DISPLAY CONSTRUCTION

Aluminum extrusion frame with plastic components

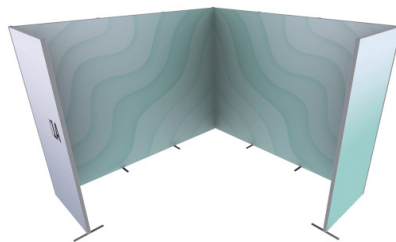
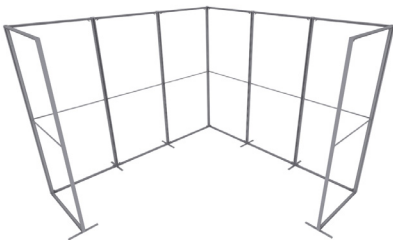
SHIPPING WEIGHTS & DIMENSIONS

Shipping Weight (each box)	16 lbs (SEGO-100x225) (2 boxes)
	40 lbs (SEGO-300x225) (2 boxes)
Shipping Dimensions (each box)	47.25"W x 4"H x 10.25"D (2 boxes)
	47.25"W x 10.25"H x 10.25"D (2 boxes)

GRAPHIC TURN AROUND TIME

2 business days after proof approval (up to 2 sets)

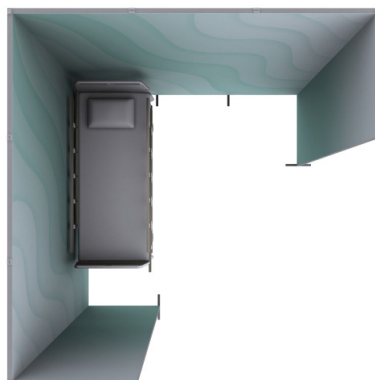
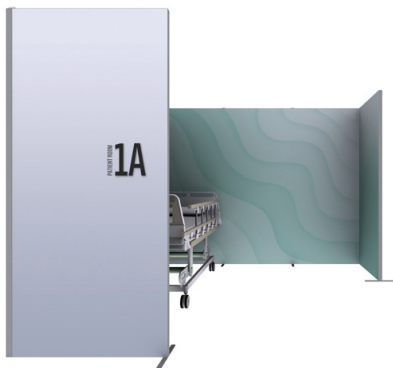
AVAILABILITY	PFC
--------------	-----



TOOL FREE ASSEMBLY



SEG GRAPHIC FINISHING



90° CORNER CONNECTION



STRAIGHT CONNECTION

QSEG ISOLATION ROOM SINGLE

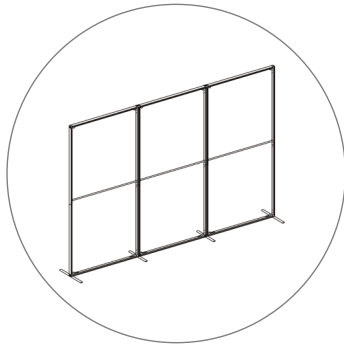
QSEG MODULAR SEG DISPLAY
PRODUCT CODE: QSEGISOLATION-SR-FCP-GP



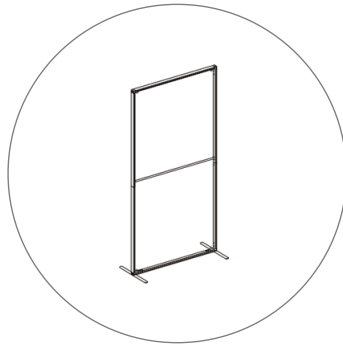
On frame On graphic



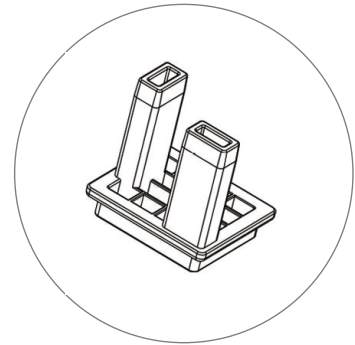
PARTS LIST



(qty 2)
QSEG-300X225



(qty 2)
QSEG-100x225



(qty 3) (pair)
QSEG-LCON

QSEG ISOLATION ROOM SINGLE

QSEG MODULAR SEG DISPLAY
PRODUCT CODE: QSEGISOLATION-SR-FCP-GP



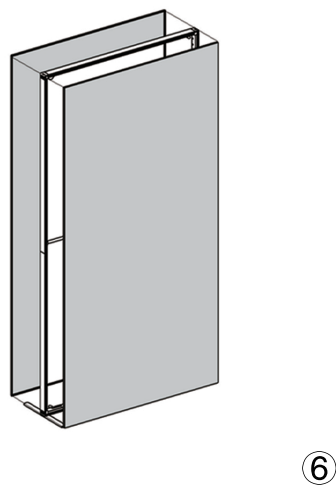
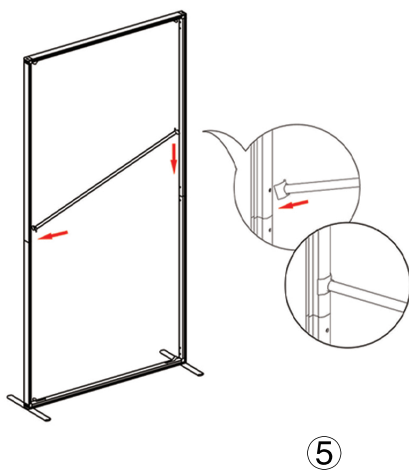
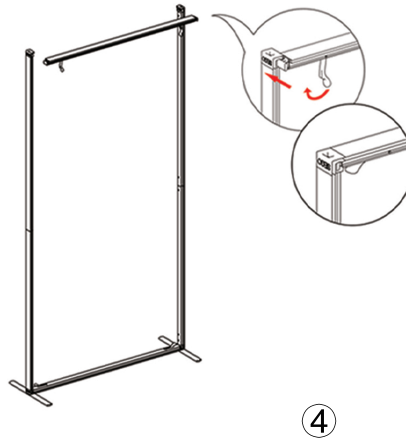
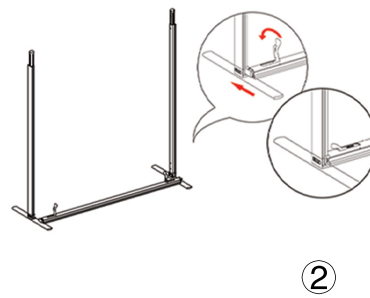
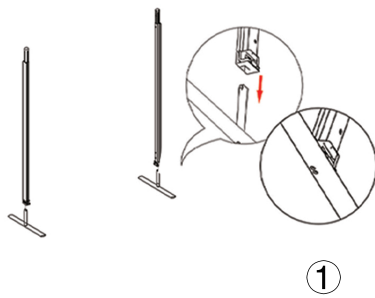
On frame



On graphic



SET UP INSTRUCTIONS SINGLE FRAME ASSEMBLY



QSEG ISOLATION ROOM SINGLE

QSEG MODULAR SEG DISPLAY
PRODUCT CODE: QSEGISOLATION-SR-FCP-GP



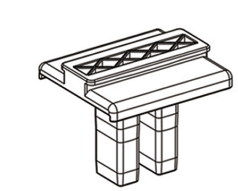
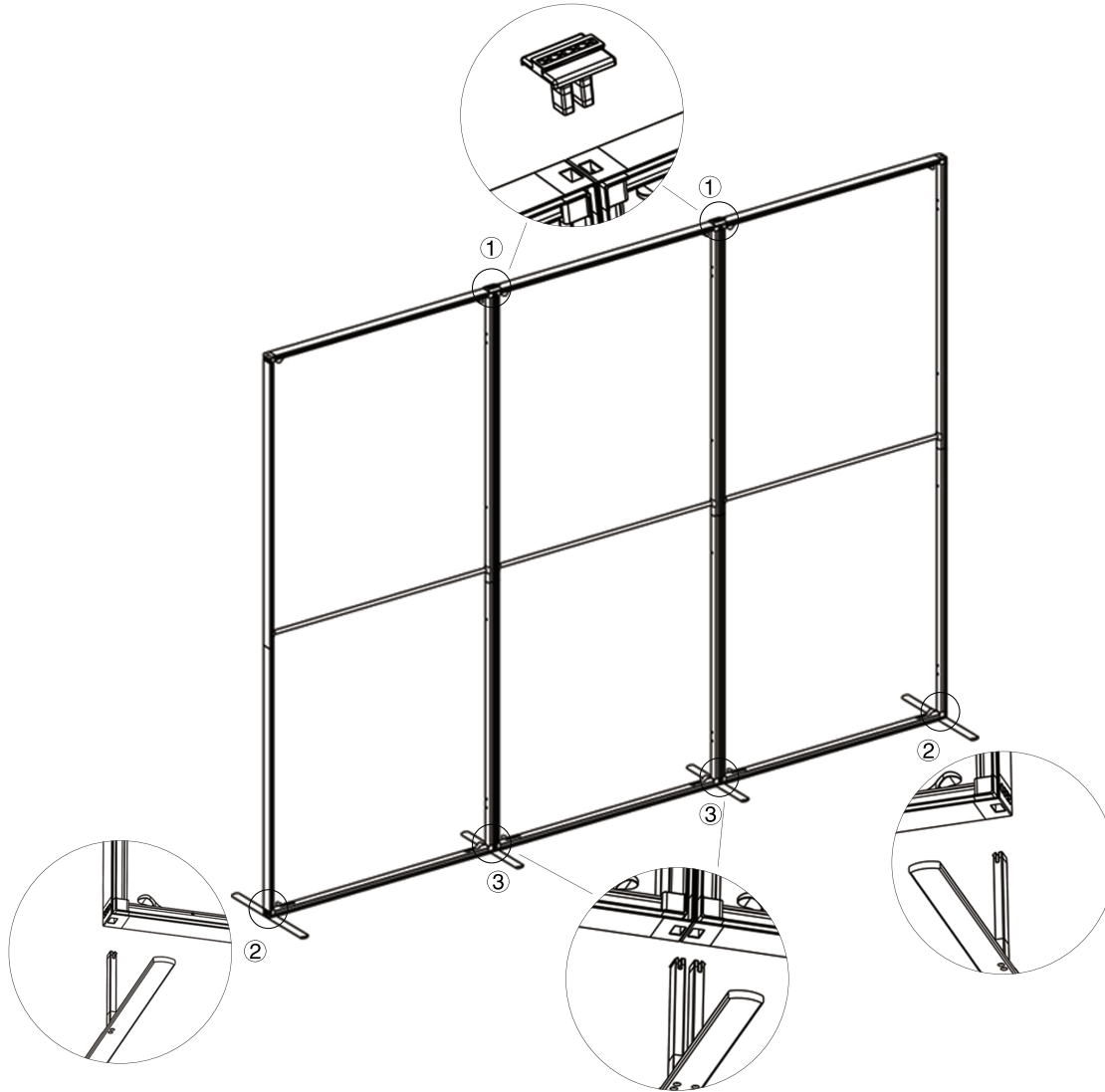
On frame



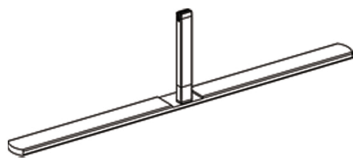
On graphic



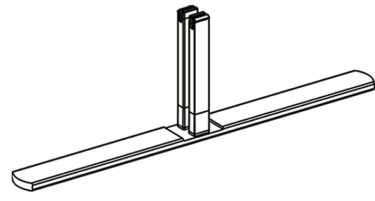
SET UP INSTRUCTIONS 3 FRAME CONNECTION (QSEG 9.8 X 7.4FT)



① Straight Connector



② Foot



③ Twin Pole Foot

QSEG ISOLATION ROOM SINGLE

QSEG MODULAR SEG DISPLAY
PRODUCT CODE: QSEGISOLATION-SR-FCP-GP



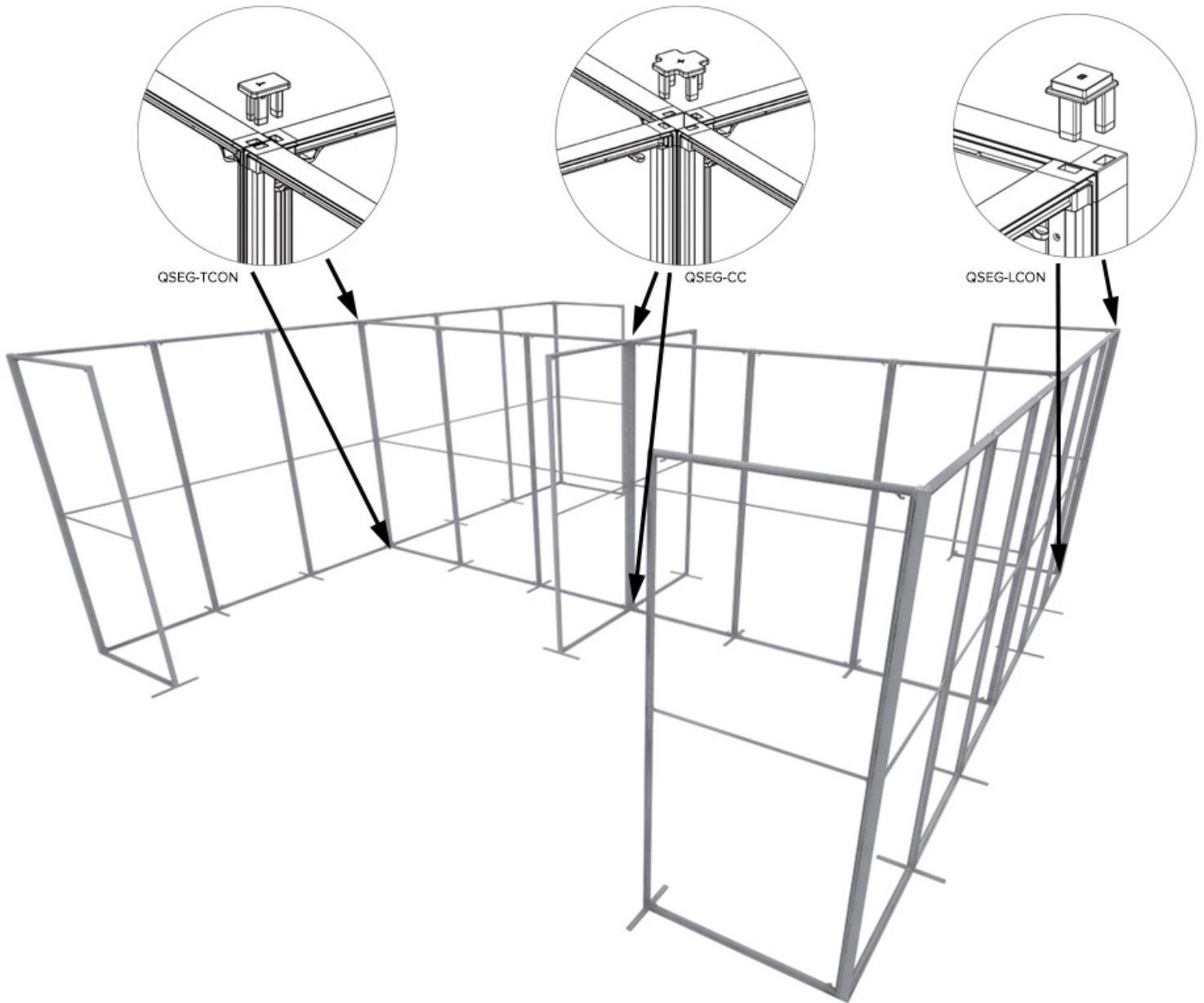
On frame



On graphic



SET UP INSTRUCTIONS ISOLATION ROOM ASSEMBLY



QSEG ISOLATION ROOM SINGLE

QSEG MODULAR SEG DISPLAY
PRODUCT CODE: QSEGISOLATION-SR-FCP-GP



On frame



On graphic



TEMPLATE

PLEASE DELETE ALL TEMPLATE ELEMENTS BEFORE UPLOADING

QSEG ISOLATION ROOM SINGLE

GRAPHIC DIMENSIONS: 41.5"W x 91" H
YELLOW SAFE AREA: 33.5"W x 83" H

UPLOAD AT 100% SCALE
DOCUMENT SIZE 41.5" x 91"

USE TEMPLATE 16 TIMES TOTAL (8 FRONT/8 BACK)
REFERENCE TEMPLATE GUIDE FOR TEMPLATE LOCATIONS
ANY CONTINUOUS ARTWORK TO MATCH UP OR LINE UP
WITH ANOTHER PRINT MAY NOT LINE UP PERFECTLY

**KEEP ALL IMPORTANT GRAPHICS
SUCH AS: LOGOS, TEXT, CONTACT INFO, ETC.
IN THE YELLOW SAFE ZONE**

**ARTWORK IN THE BLUE AREA WILL PRINT BUT IS IN RISK
OF BEING CLOSE TO THE EDGE OR TRIMMED OFF**

Graphic Specifications:

- Create to template specs
- 125 DPI resolution
- CMYK color
- No template lines
- Embed/link all images
- Create to outline all fonts

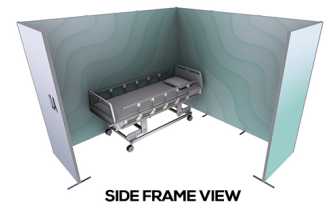
Acceptable file formats:

- Photoshop (.psd, .psb)
- Illustrator (.ai, .eps)
- Flattened .tiff
- Press quality .pdf

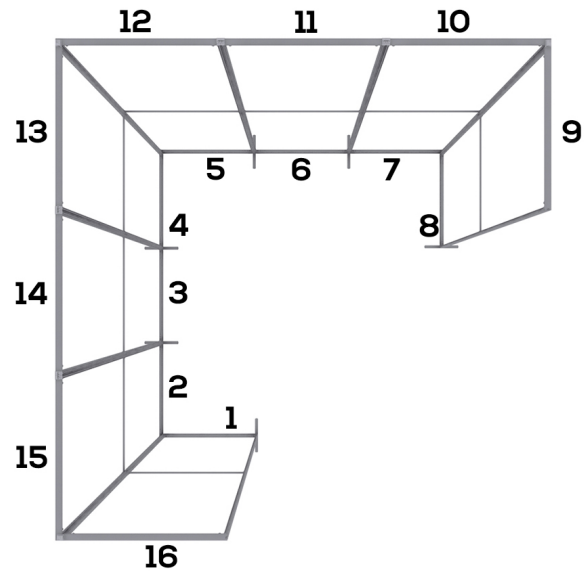
Ver-0622.20



ISOLATION ROOM SINGLE TEMPLATE GUIDE



SIDE FRAME VIEW



AERIAL FRAME VIEW

NUMBERS ON THE IMAGE ABOVE INDICATE THE TEMPLATE LOCATION # ON FRAME
PLEASE ADD TEMPLATE LOCATION # TO END OF FILENAME. EX: "QSEG-ISOLATION ROOM-SINGLE-1"