

QSEG OFFICE PARTITION QUAD

QSEG MODULAR SEG DISPLAY
 PRODUCT CODE: QSEGOFFICE-QP-FCP-G



On frame On graphic



PRODUCT DESCRIPTION

Use Qseg for social distancing solutions for work environments as office partitions and cubicles. Help keep safe physical distance between employees and customers with today's health and safety regulations. By strategically placing our lightweight and portable walls. Padded travel bags are included to keep your frames and graphics protected during transport and storage. With many wall sizes and connector accessories. Effortlessly creating numerous configurations that meet your needs. Connector options are either 2 way (90°) or 4 way (180°). Other graphic options are full custom printed dye sublimated graphics or TPU plastic for hygienic sneeze guards and partitions.

DISPLAY DIMENSIONS	236"W x 88.5"H x 236"D
--------------------	------------------------

GRAPHIC SIZE (each frame)	41.5"W x 91"H
---------------------------	---------------

GRAPHIC MATERIAL

Dye Sub Stretch Fabric

GRAPHIC FINISHING

Silicone beading sewn onto edge of graphic

DISPLAY CONSTRUCTION

Aluminum extrusion frame with plastic components

SHIPPING WEIGHTS & DIMENSIONS

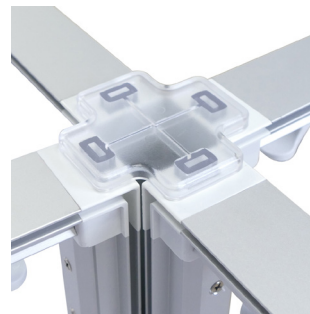
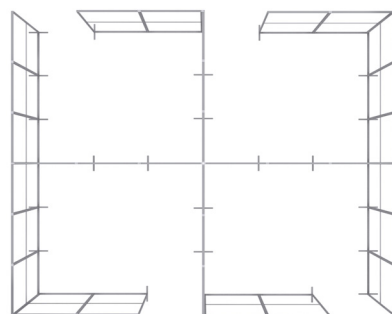
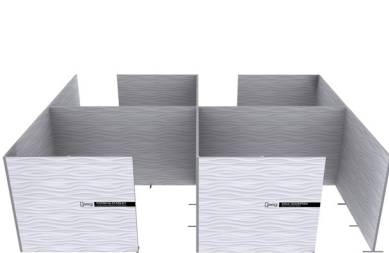
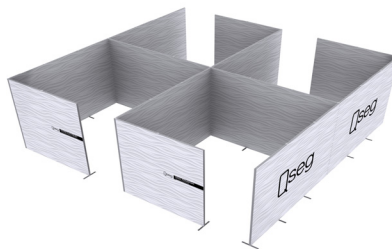
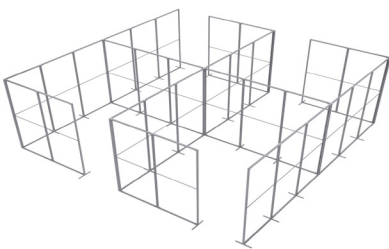
Shipping Weight (each box)	16 lbs (SEGO-100x225) (8 boxes)
	40 lbs (SEGO-300x225) (8 boxes)

Shipping Dimensions (each box)	47.25"W x 4"H x 10.25"D (8 boxes)
	47.25"W x 10.25"H x 10.25"D (8 boxes)

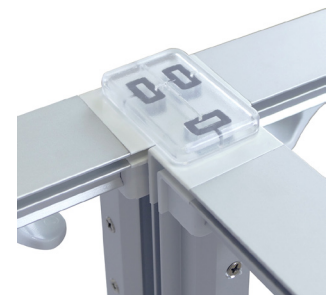
GRAPHIC TURN AROUND TIME

2 business days after proof approval (up to 2 sets)

AVAILABILITY	PFC
--------------	-----



CROSS CONNECTION



T CONNECTION



90° CORNER CONNECTION



STRAIGHT CONNECTION

QSEG OFFICE PARTITION QUAD

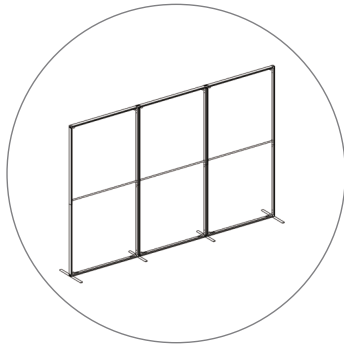
QSEG MODULAR SEG DISPLAY
PRODUCT CODE: QSEGOFFICE-QP-FCP-G



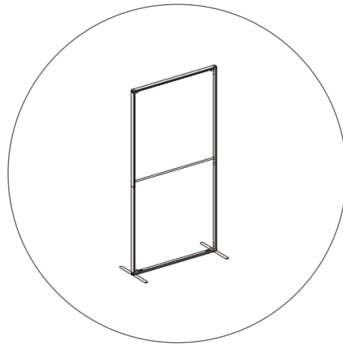
On frame On graphic



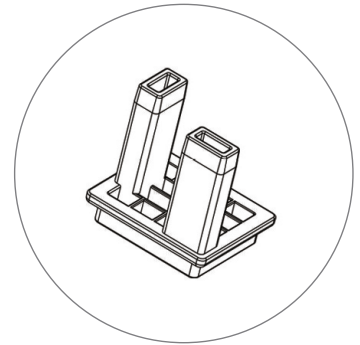
PARTS LIST



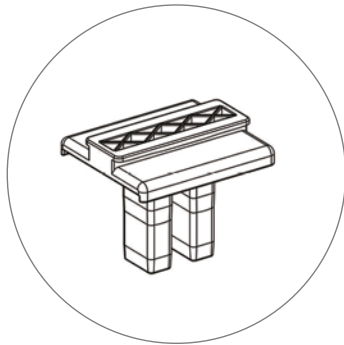
(qty 8)
QSEG-300X225



(qty 8)
QSEG-100x225



(qty 4) (pair)
QSEG-LCON



(qty 8)
QSEG-SCON

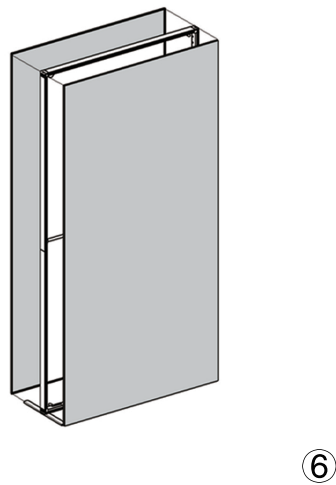
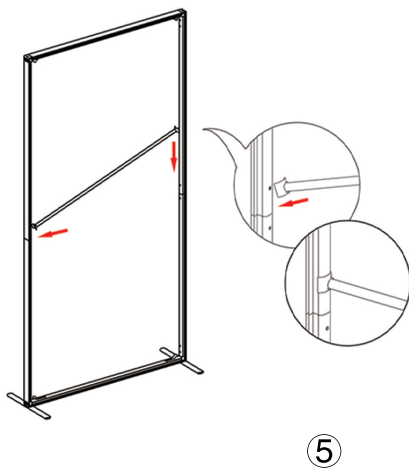
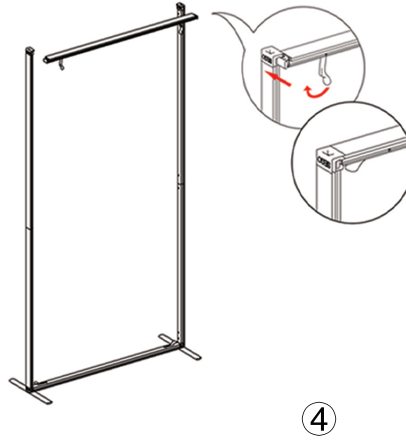
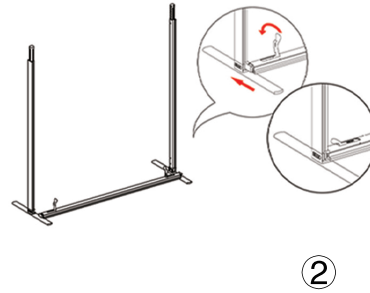
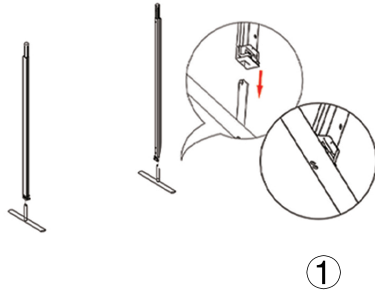


(qty 4)
QSEG-TCON

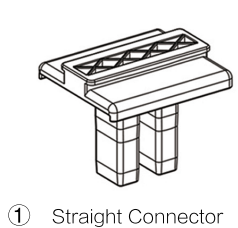
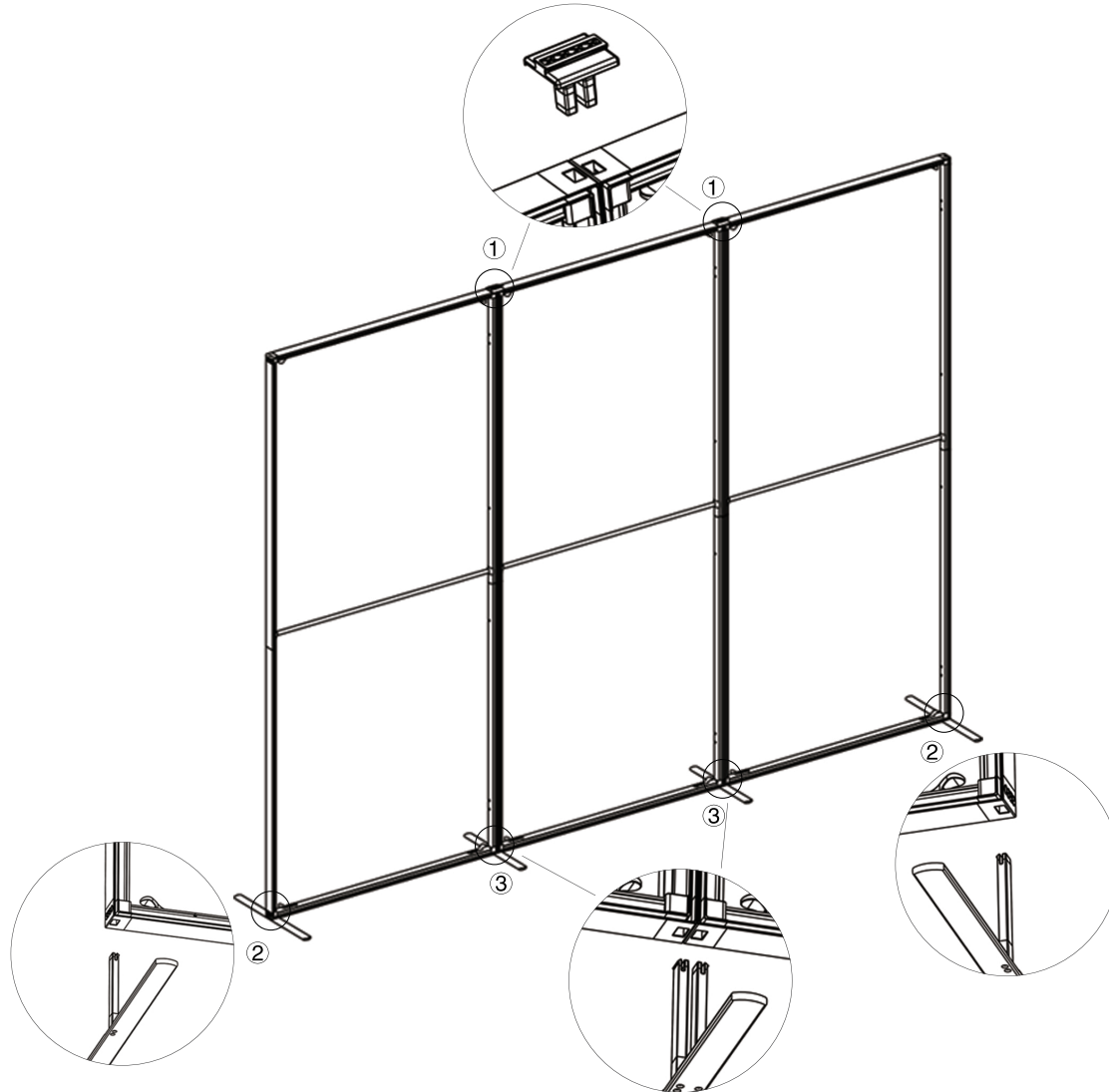


(qty 2)
QSEG-CC

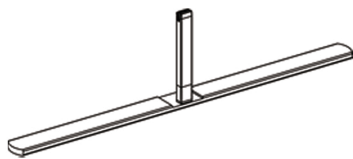
SET UP INSTRUCTIONS SINGLE FRAME ASSEMBLY



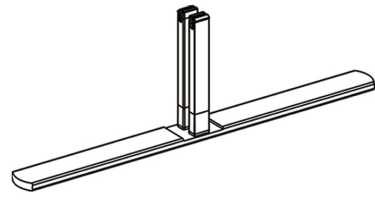
SET UP INSTRUCTIONS 3 FRAME CONNECTION (QSEG 9.8 X 7.4FT)



① Straight Connector



② Foot



③ Twin Pole Foot

QSEG OFFICE PARTITION QUAD

QSEG MODULAR SEG DISPLAY
PRODUCT CODE: QSEGOFFICE-QP-FCP-G



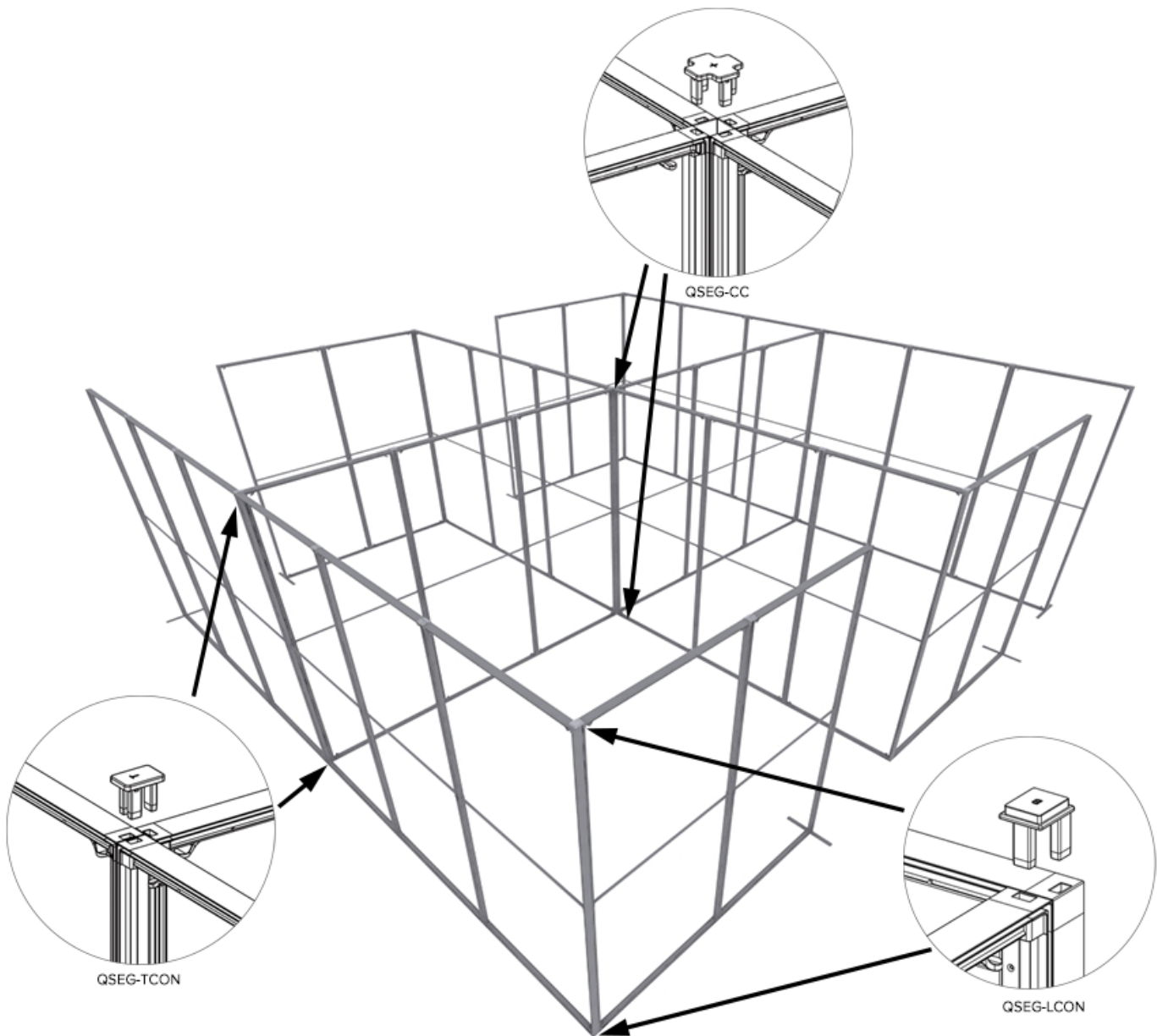
On frame



On graphic



SET UP INSTRUCTIONS OFFICE PARTITION ASSEMBLY



QSEG OFFICE PARTITION QUAD

QSEG MODULAR SEG DISPLAY
 PRODUCT CODE: QSEGOFFICE-QP-FCP-G



On frame On graphic

TEMPLATE

PLEASE DELETE ALL TEMPLATE ELEMENTS BEFORE UPLOADING

QSEG OFFICE PARTITION QUAD

GRAPHIC DIMENSIONS: 41.5" W x 91" H
 YELLOW SAFE AREA: 33.5" W x 83" H

UPLOAD AT 100% SCALE
 DOCUMENT SIZE 41.5" x 91"

USE TEMPLATE 80 TIMES TOTAL (40 FRONT/40 BACK)
 REFERENCE TEMPLATE GUIDE FOR TEMPLATE LOCATIONS
 ANY CONTINUOUS ARTWORK TO MATCH UP OR LINE UP
 WITH ANOTHER PRINT MAY NOT LINE UP PERFECTLY

KEEP ALL IMPORTANT GRAPHICS
 SUCH AS: LOGOS, TEXT, CONTACT INFO, ETC.
 IN THE YELLOW SAFE ZONE

ARTWORK IN THE BLUE AREA WILL PRINT BUT IS IN RISK
 OF BEING CLOSE TO THE EDGE OR TRIMMED OFF

Graphic Specifications:

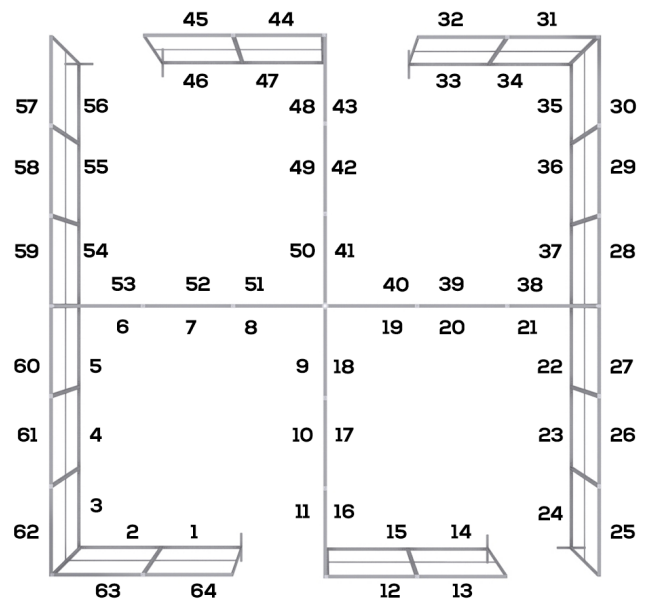
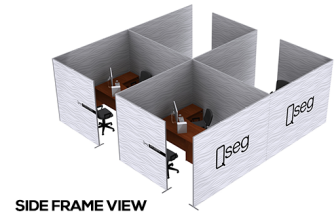
- Create to template specs
- 125 DPI resolution
- CMYK color
- No template lines
- Embed/link all images
- Create to outline all fonts

Acceptable file formats:

- Photoshop (.psd, .psb)
- Illustrator (.ai, .eps)
- Flattened .tiff
- Press quality .pdf

Var-0622.20

Qseg OFFICE PARTITION QUAD TEMPLATE GUIDE



NUMBERS ON THE IMAGE ABOVE INDICATE THE TEMPLATE LOCATION # ON FRAME
 PLEASE ADD TEMPLATE LOCATION # TO END OF FILENAME. EX: "QSEG-OFFICEPARTITION-QUAD-1"